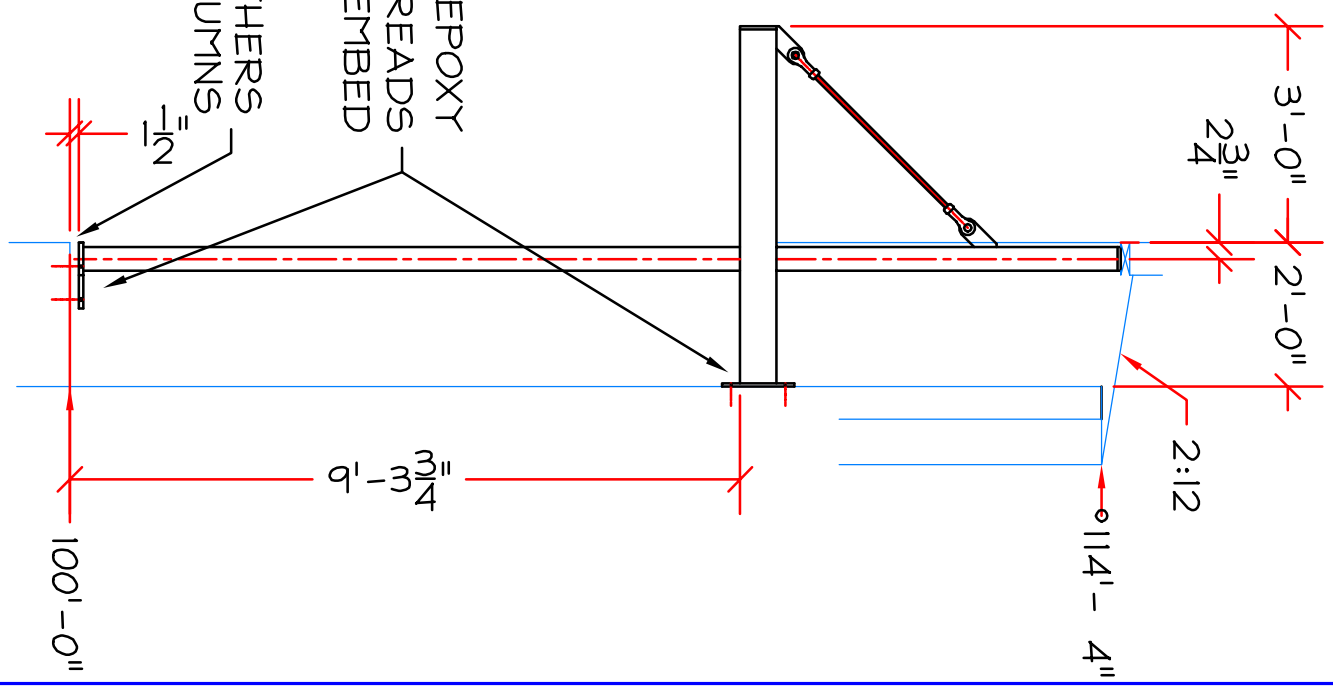


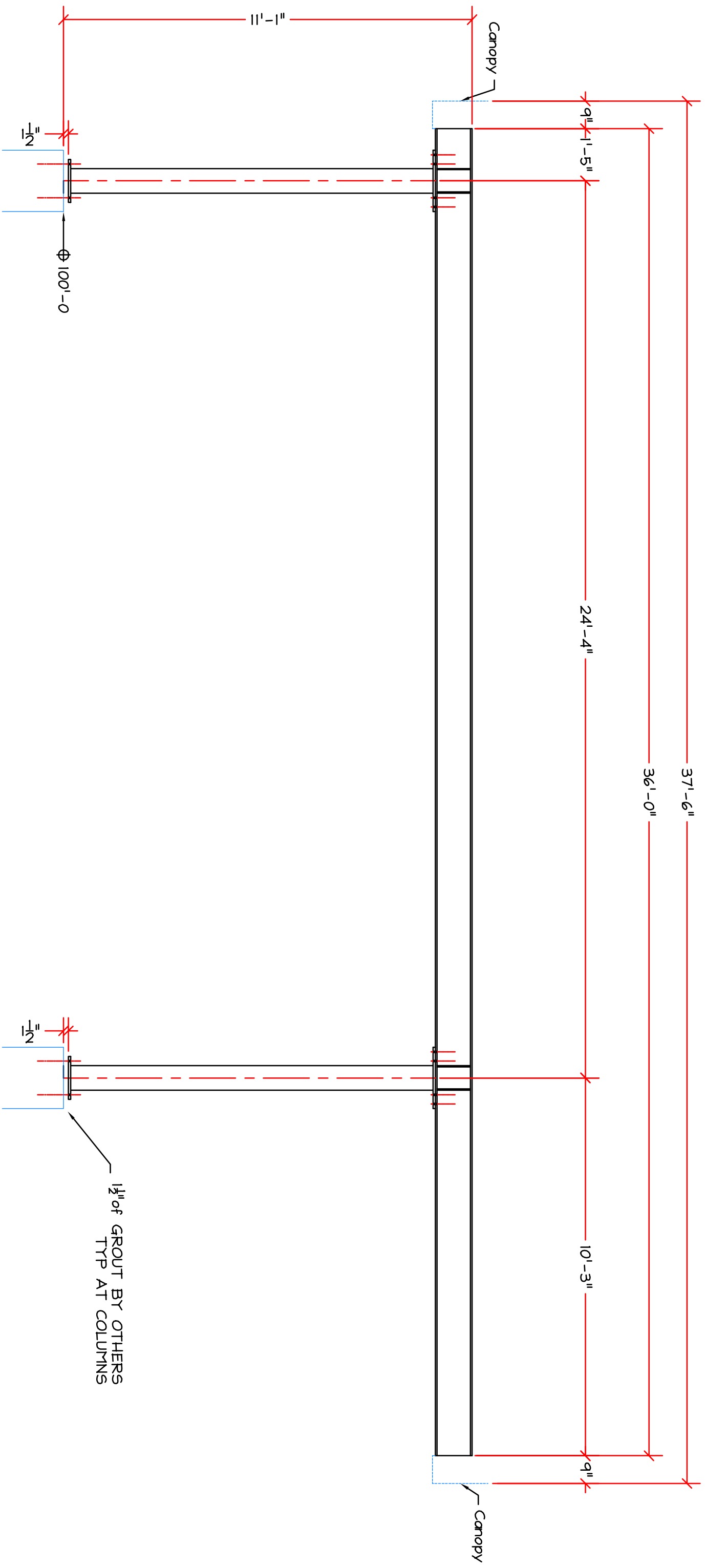
PLAN VIEW



SECTION A/E1
3/8" = 1'-0"

Garfield Steel and Machine, Inc.
 1815 Airport Road
 Rifle, Co 81650
 Ph 970.625-3551
 gsrmi@sopris.net

JOB: WRFUCU	MATERIAL: A36 U.N.	HOLES: 13/16 φ	REMARKS: FOR APPROVAL	JOB NUMBER: 5503	SHEET #: E1
CUSTOMER: DM Neuman	DATE: 12.10.09	BOLTS: A325	DRAWN BY: R Fix	REV. NUMBER: 5503	PAIN NOTE: sc/Red
LOCATION: Rifle, CO	SCALE: 1/8" = 1'-0"	WELDS: E70xx LH	rocky.fix@comcast.net		Primer

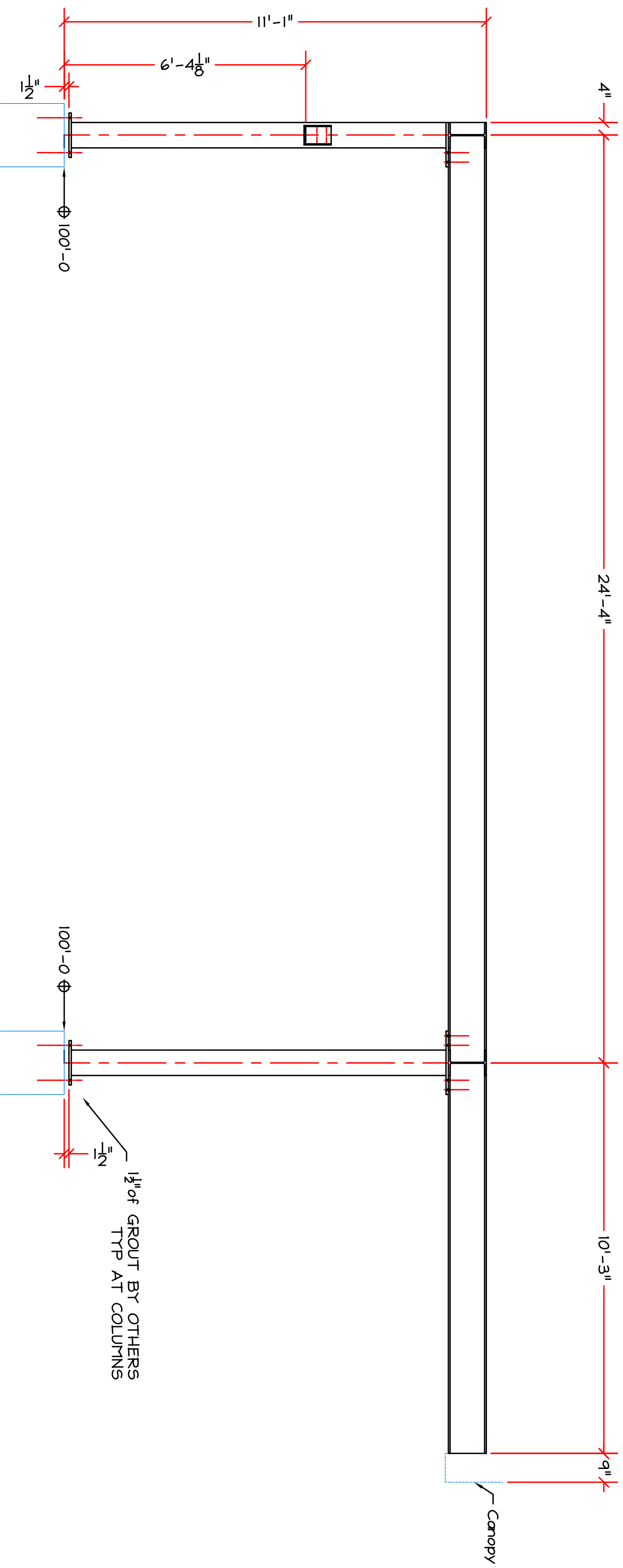


SECTION A/E2

**Garfield Steel
and Machine, Inc.**
1815 Airport Road
Rifle, Co 81650
Ph 970.625-3551

JOB: WRFUCU	MATERIAL: A36 U.N.	HOLES: 13/16 φ	REMARKS: FOR APPROVAL	JOB NUMBER: 5503	SHEET #: E2
CUSTOMER: DM Neuman	DATE: 12.10.09	BOLTS: A325	DRAWN BY: R FIX	REV. NUMBER: 1	PAINT NOTE: sc/Red Primer
LOCATION: Rifle, CO	SCALE: 3/8" = 1'-0"	WELDS: E70XX LH	rocky.fix@comcast.net		

gsmt@sopris.net



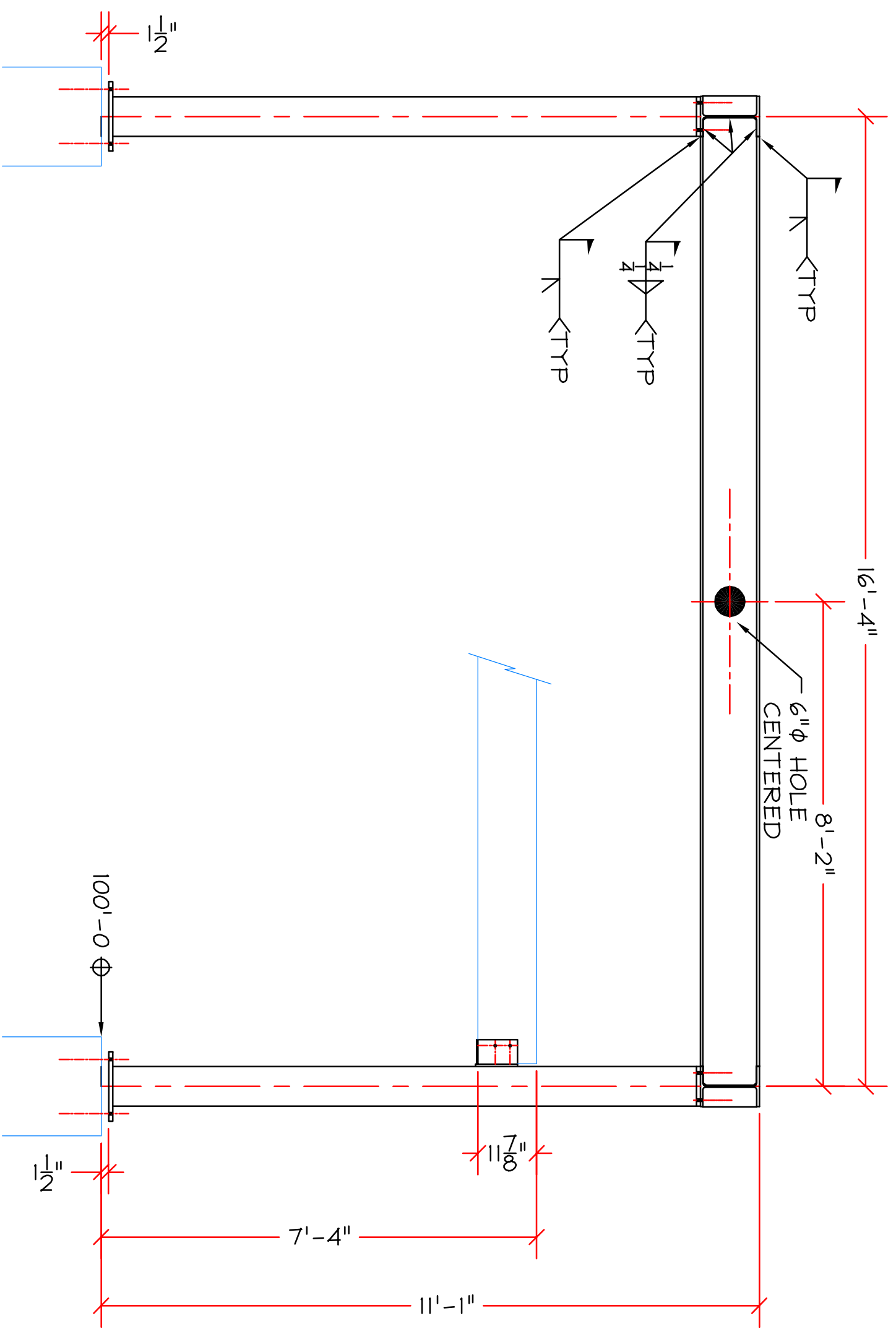
SECTION A/E3

Garfield Steel and Machine, Inc.
 1815 Airport Road
 Rifle, Co 81650
 Ph 970.625-3551
 gsrmi@sopris.net

JOB:	MRFCU	MATERIAL:	A36 U.N.	HOLES:	13/16 φ	REMARKS:	FOR APPROVAL	JOB NUMBER:	5503	SHEET #:	E3
CUSTOMER:	DM Neuman	DATE:	12.10.09	BOLTS:		DRAWN BY:	R FIX	REV. NUMBER:		PAINT NOTE:	sc/Red Primer
LOCATION:	Rifle, CO	SCALE:	3/8" = 1'-0"	WELDS:	E70XX LH		rocky.fix@comcast.net				

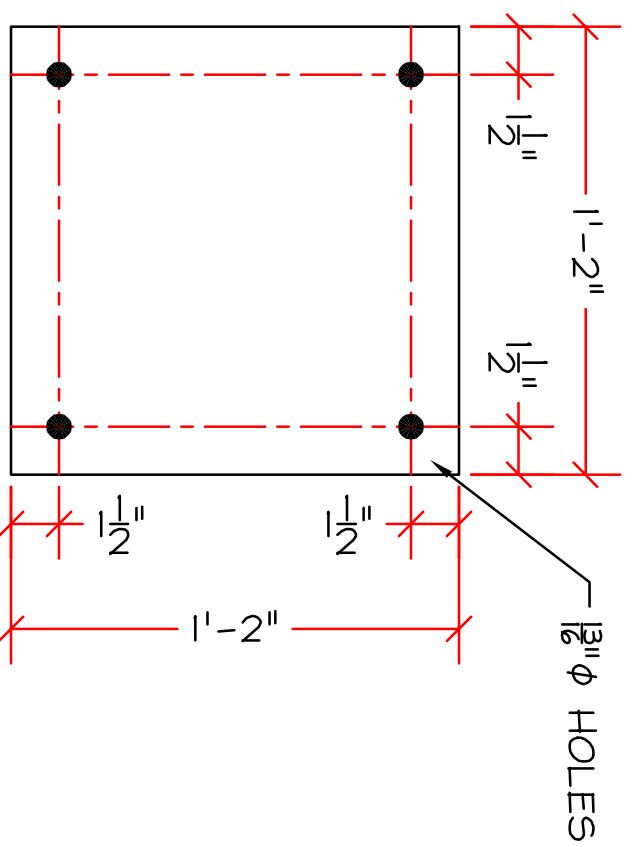
1/2" of GROUT BY OTHERS
 TYP AT COLUMNS

Canopy

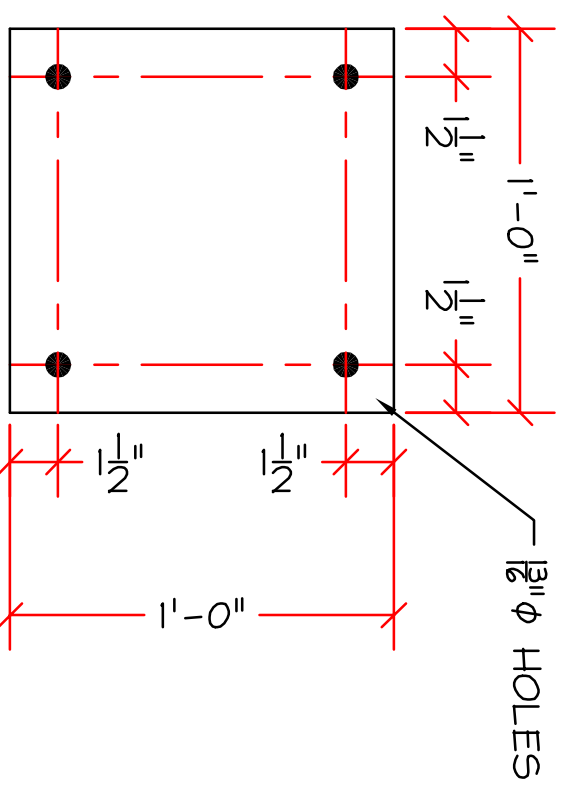


SECTION A/E4

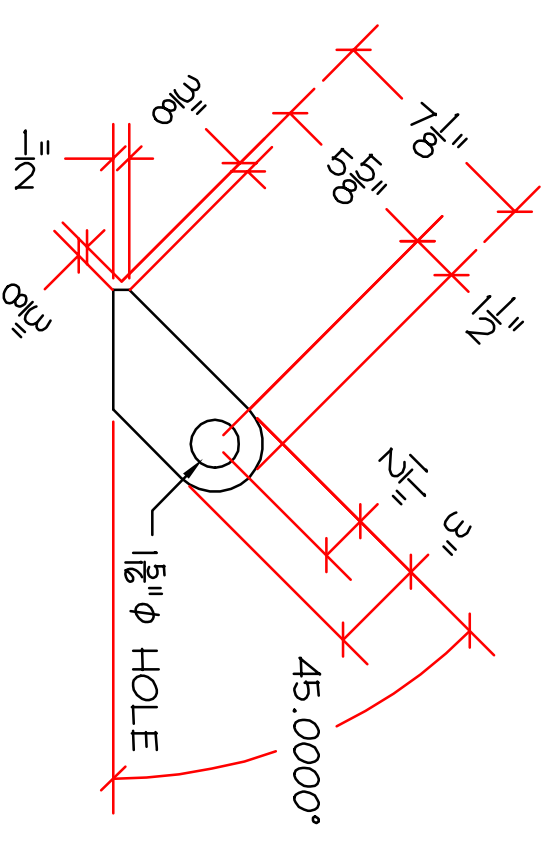
Garfield Steel and Machine, Inc. 1815 Airport Road Rifle, Co 81650 Ph 970.625-3551		JOB: WRFUCU CUSTOMER: DM Neuman LOCATION: Rifle, CO	MATERIAL: A36 U.N. DATE: 12.10.09 SCALE: 1/2" = 1'-0"	HOLES: 13/16 φ BOLTS: WELDS: E70xx LH	REMARKS: FOR APPROVAL DRAWN BY: R FIX 970.379.2006 rocky.fix@comcast.net	JOB NUMBER: 5503 REV. NUMBER:	SHEET # E4 PAINT NOTE sc/Red Primer
--	--	---	---	---	---	----------------------------------	--



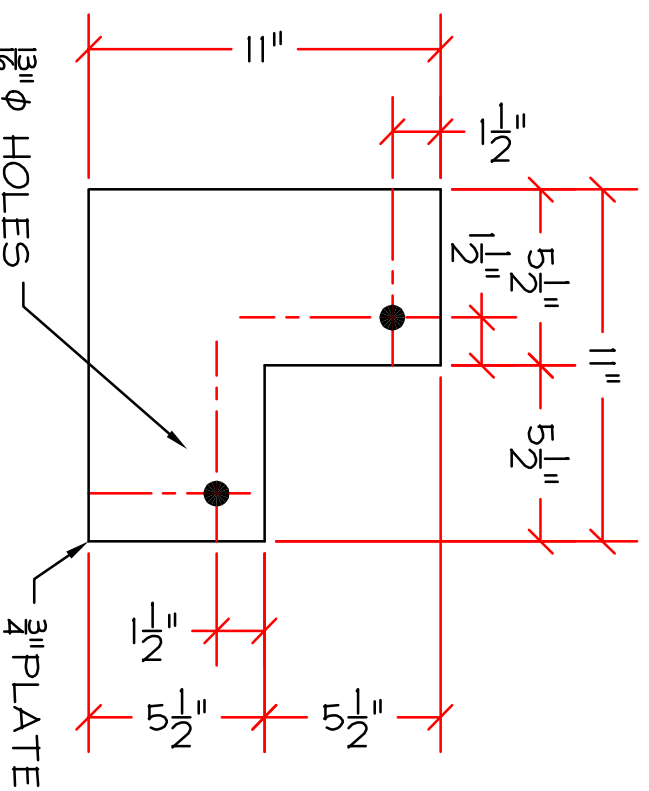
4 - CANOPY COLUMN BASE PLATES - MK P1d



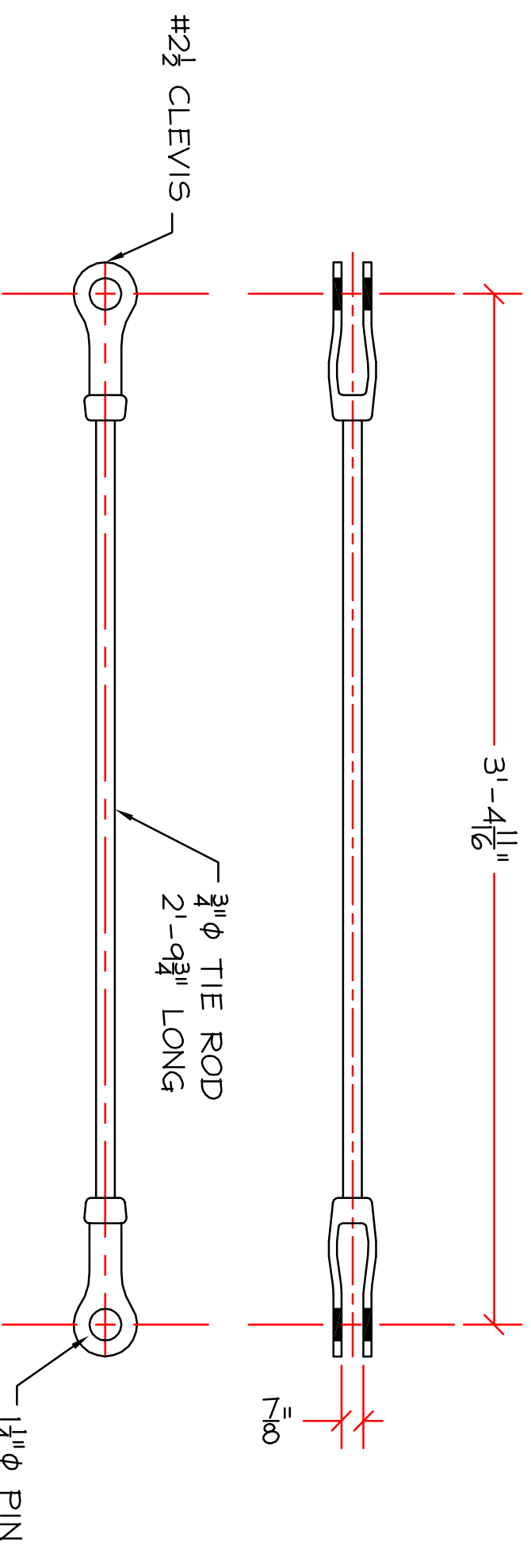
2 - ENTRY COLUMN WALL PLATES - MK P1b



4 - 5/8" CLEVIS PLATES - MK P1c



2 - ENTRY COLUMN BASE PLATES - MK P1d



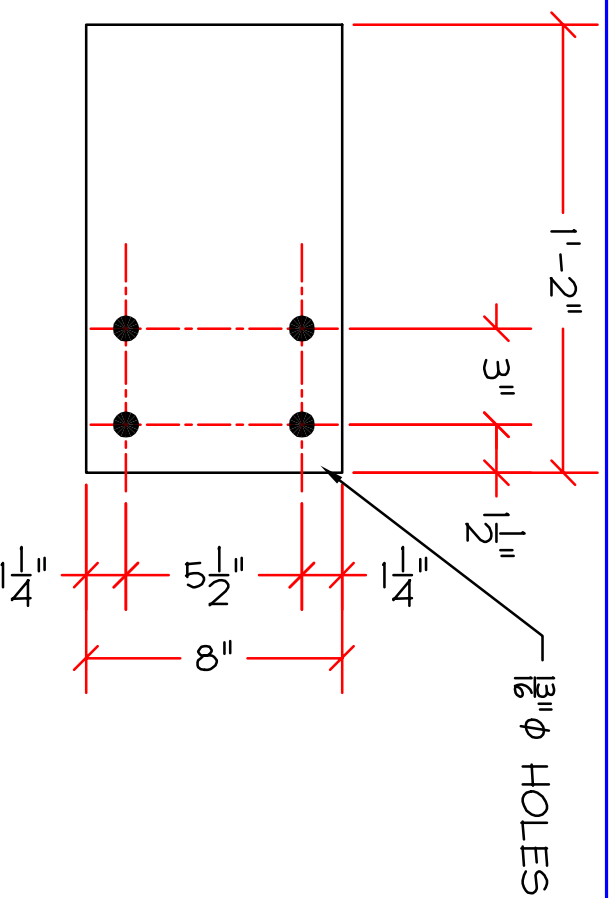
2 - TIE ROD ASSEMBLIES - MK P1e

BILL OF MATERIALS

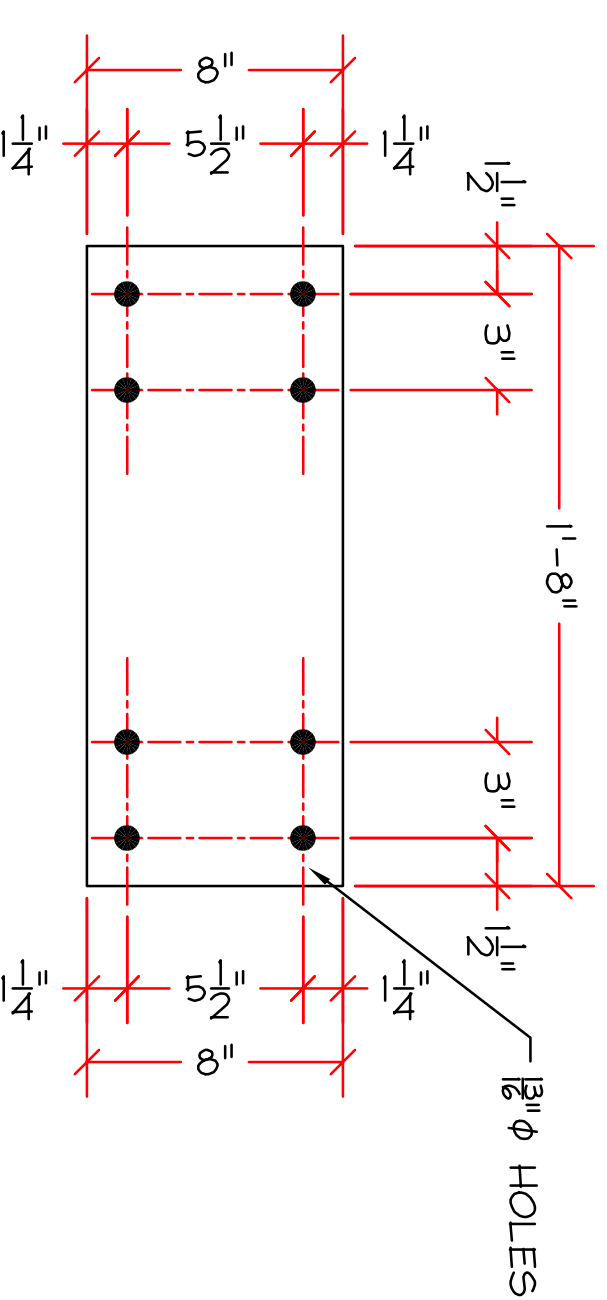
PIECE MARK	NO. OF PCS	DESCRIPTION	LENGTH		NOTES
			Ft	In	
P1d	4	CANOPY COLUMN BASE PLATES			
P1b	2	PL 3/4 x 14		2	
P1c	2	CANOPY COLUMN BASE PLATES		0	
P1d	4	FB 5/8 x 3		7 1/8	
P1e	2	FB 3/4 x 11		7 1/8	
	2	TIE ROD ASSEMBLIES			
	2	#2 1/2 Clevis - 3/4-10 LH THREAD- 7/8 GRIP- 1 1/4 PIN			
	2	#2 1/2 Clevis - 3/4-10 RH THREAD- 7/8 GRIP- 1 1/4 PIN			
	2	3/4 TIE ROD - 21'-9 3/4"			

Garfield Steel and Machine, Inc.
 1815 Airport Road
 Rifle, Co 81650
 Ph 970.625-3551

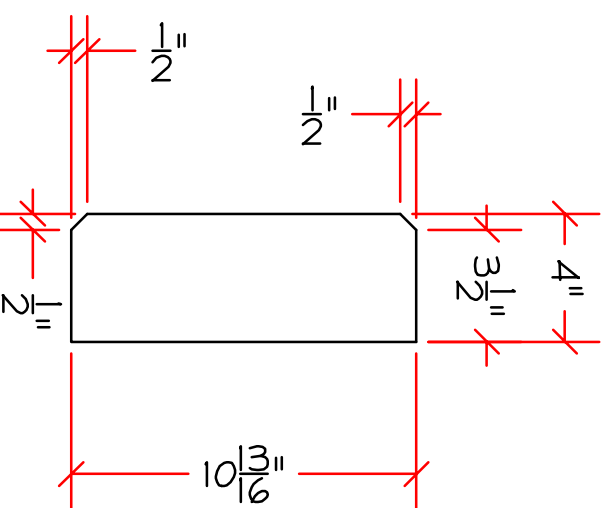
JOB: WRFUCU	MATERIAL: A36 U.N.	HOLES: 13/16 φ	REMARKS: FOR APPROVAL	JOB NUMBER: 5503	SHEET #: P1
CUSTOMER: DM Neuman	DATE: 12.10.09	BOLTS: E70xx LH	DRAWN BY: R Fix	REV. NUMBER: sc/Red	PAINT NOTE: Primer
LOCATION: Rifle, CO	SCALE:		rocky.fix@comcast.net		



ONE - CANOPY COLUMN TOP PLATE - MK P2a

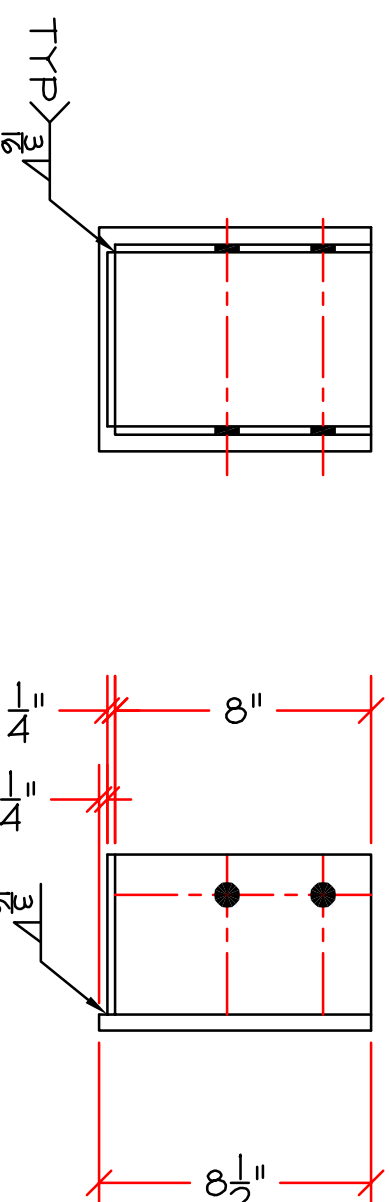


3 - CANOPY COLUMN TOP PLATES - MK P2b



8 - CANOPY BEAM STIFFENERS - MK P2c

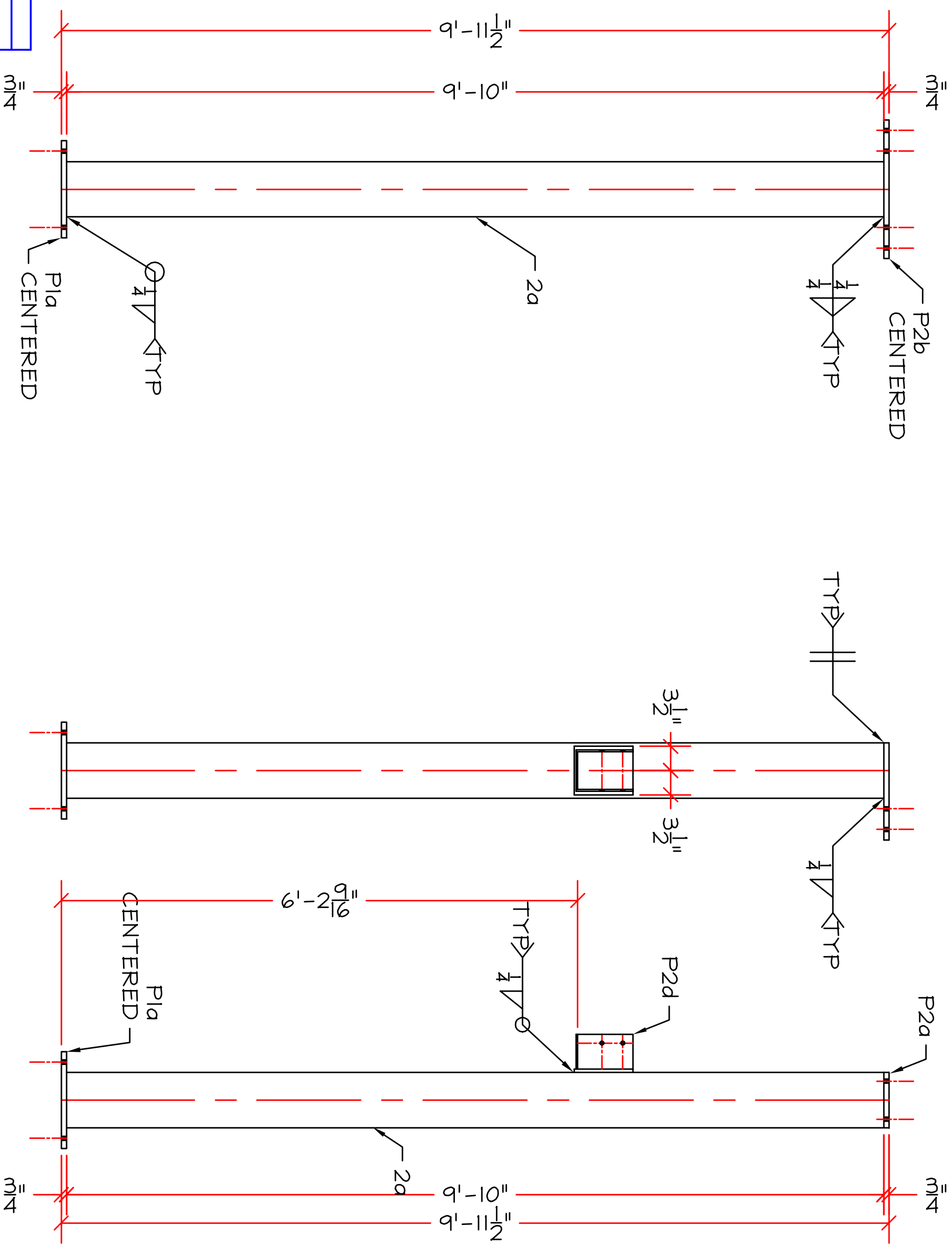
BILL OF MATERIALS					
PIECE MARK	NO. OF PCS	DESCRIPTION	LENGTH		NOTES
			Ft	In	
P2a	ONE	CANOPY COLUMN TOP PLATE		2	
	1	PL 3/4 x 8			
P2b	3	CANOPY COLUMN TOP PLATES			
	2	FB 3/4 x 8		8	
P2c	8	CANOPY BEAM STIFFENERS			
	8	FB 3/8 x 4		10 13/16	
P2d	ONE	CANOPY COLUMN BUCKET			
	1	FB 1/2 x 7		8 1/2	
	2	FB 1/4 x 5		8	
	1	FB 1/4 x 5		5 7/16	



ONE - CANOPY COLUMN BUCKET - MK P2d

Garfield Steel and Machine, Inc.
 1815 Airport Road
 Rifle, Co 81650
 Ph 970.625-3551

JOB: WRF001	MATERIAL: A36 U.N.	HOLES: 13/16 φ	REMARKS: FOR APPROVAL	JOB NUMBER: 5503	SHEET #: P2
CUSTOMER: DM Neuman	DATE: 12.10.09	BOLTS: E70XX LH	DRAWN BY: R Fix	REV. NUMBER: 5503	PAINT NOTE: sc/Red Primer
LOCATION: Rifle, CO	SCALE:	WEILDS:	rocky.fix@comcast.net		



3 - CANOPY COLUMNS - MK A2

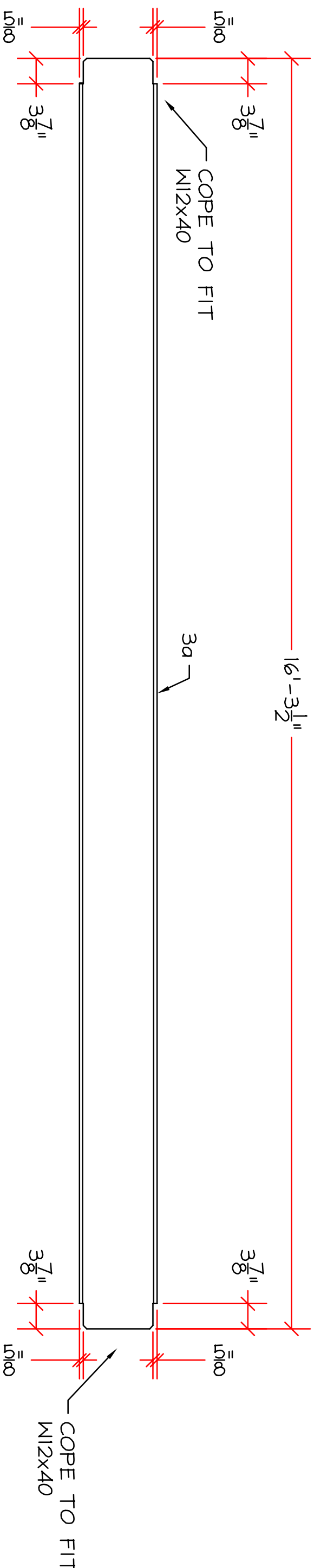
ONE - CANOPY COLUMN - MK B2

BILL OF MATERIALS

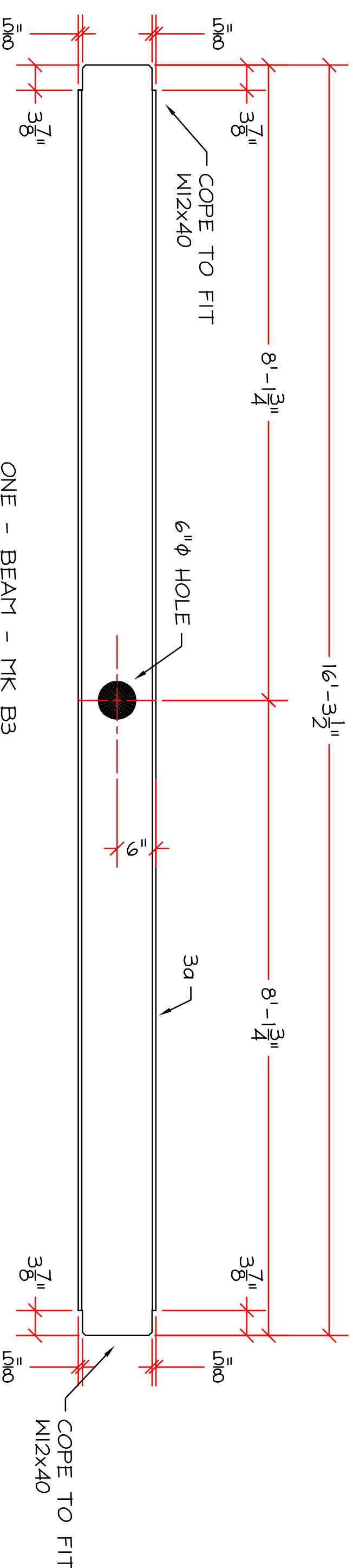
PIECE MARK	NO./OF PCS	DESCRIPTION	LENGTH		NOTES
			Ft	In	
A2	3	CANOPY COLUMNS			
2a	3	HSS 8 x 8 x 3/8	9	10	
P1a	3	CANOPY COLUMN BASE PLATE			
P2b	3	CANOPY COLUMN TOP PLATE			
B2	1	CANOPY COLUMNS			
2a	1	HSS 8 x 8 x 3/8	9	10	
P1a	1	CANOPY COLUMN BASE PLATE			
P2a	1	CANOPY COLUMN TOP PLATE			
P2d	1	CANOPY COLUMN BUCKET			

Garfield Steel and Machine, Inc.
 1815 Airport Road
 Rifle, Co 81650
 Ph 970.625-3551
 gsmi@sopris.net

JOB: WRFUCU	MATERIAL: A36 U.N.	HOLES: 13/16 φ	REMARKS: FOR APPROVAL	JOB NUMBER: 5503	SHEET #: 2
CUSTOMER: DM Neuman	DATE: 12.10.09	BOLTS: E70XX LH	DRAWN BY: R FIX	REV. NUMBER	PAIN NOTE
LOCATION: Rifle, CO	SCALE: 1/2" = 1'-0"	WEILDS:	rocky.fix@comcast.net		sc/Red Primer



ONE - BEAM - MK A3



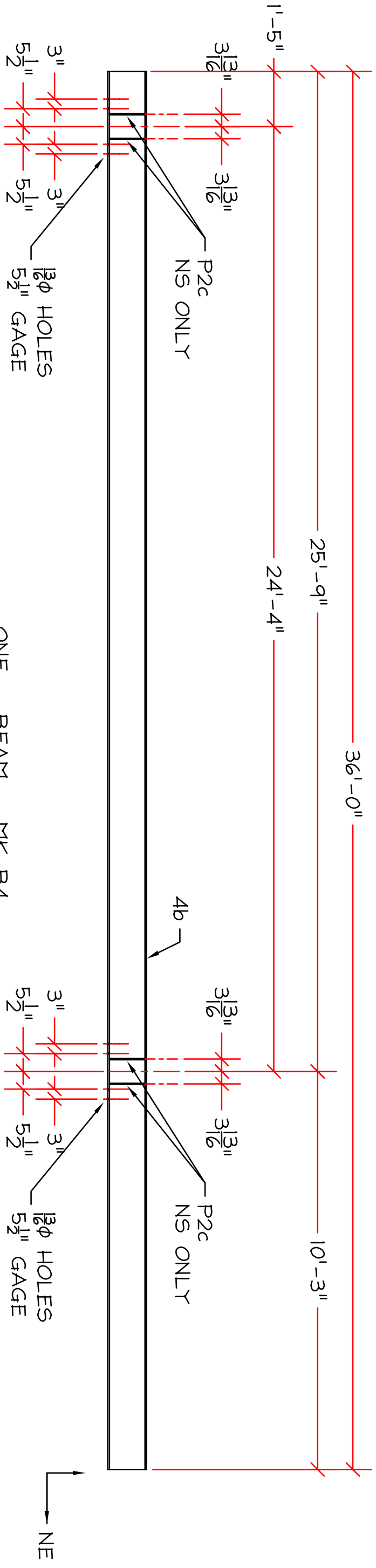
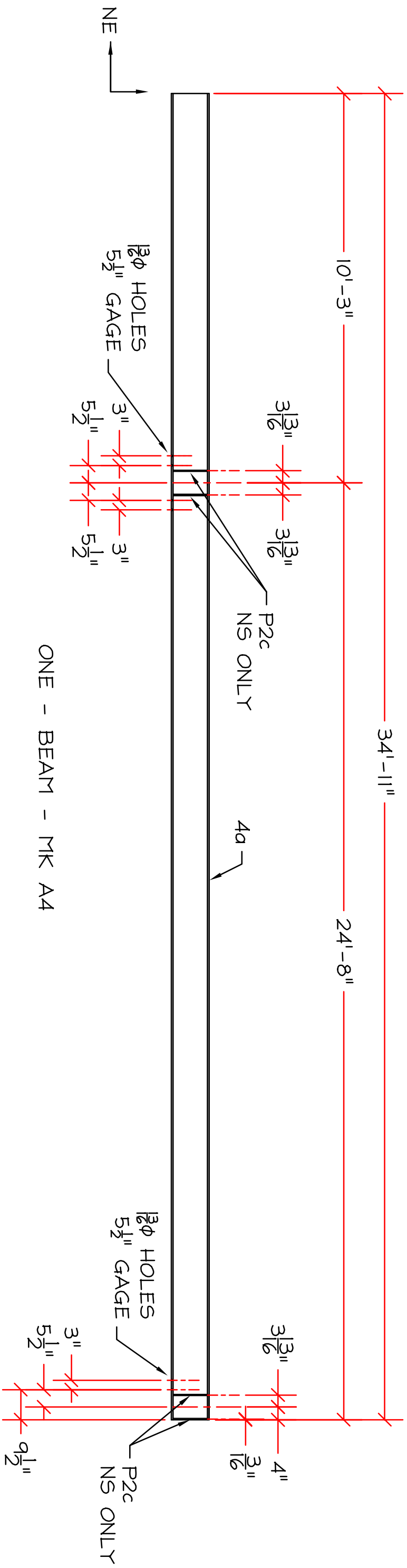
ONE - BEAM - MK B3

BILL OF MATERIALS

PIECE MARK	NO. OF PCS	DESCRIPTION	LENGTH		NOTES
			Ft	In	
A3	1	BEAM	16	3 1/2	
B3	1	BEAM	16	3 1/2	
3a	1	M12 X 40			

Garfield Steel and Machine, Inc.
 1815 Airport Road
 Rifle, Co 81650
 Ph 970.625-3551
 gsrmi@sopris.net

JOB: WRFUCU	MATERIAL: A36 U.N.	HOLES: 13/16 ϕ	REMARKS: FOR APPROVAL	JOB NUMBER: 5503	SHEET #: 3
CUSTOMER: DM Neuman	DATE: 12.10.09	BOLTS: E70xx LH	DRAWN BY: R FIX	REV. NUMBER: 5503	PAIN'T NOTE: sc/Red Primer
LOCATION: Rifle, CO	SCALE: 1/2" = 1'-0"	WEILDS:	rocky.fix@comcast.net		



BILL OF MATERIALS

PIECE MARK	NO OF PCS	DESCRIPTION	LENGTH		NOTES
			Ft	In	
A4	1	BEAM			
4a	1	W12 x 40			
P2c	4	CANOPY BEAM STIFFENERS	34	11	
B4	1	BEAM			
4b	1	W12 x 40	36	0	
P2c	4	CANOPY BEAM STIFFENERS			

Garfield Steel and Machine, Inc.
 1815 Airport Road
 Rifle, Co 81650
 Ph 970.625-3551
 gsrmi@sopris.net

JOB: WRFUCU	MATERIAL: A36 U.N.	HOLES: 13/16 ϕ	REMARKS: FOR APPROVAL	JOB NUMBER: 5503	SHEET #: 4
CUSTOMER: DM Neuman	DATE: 12.10.09	BOLTS: E70XX LH	DRAWN BY: R FIX	REV. NUMBER: sc/Red	PAINT NOTE: Primer
LOCATION: Rifle, CO	SCALE:	WELDS:	rocky.fix@comcast.net		