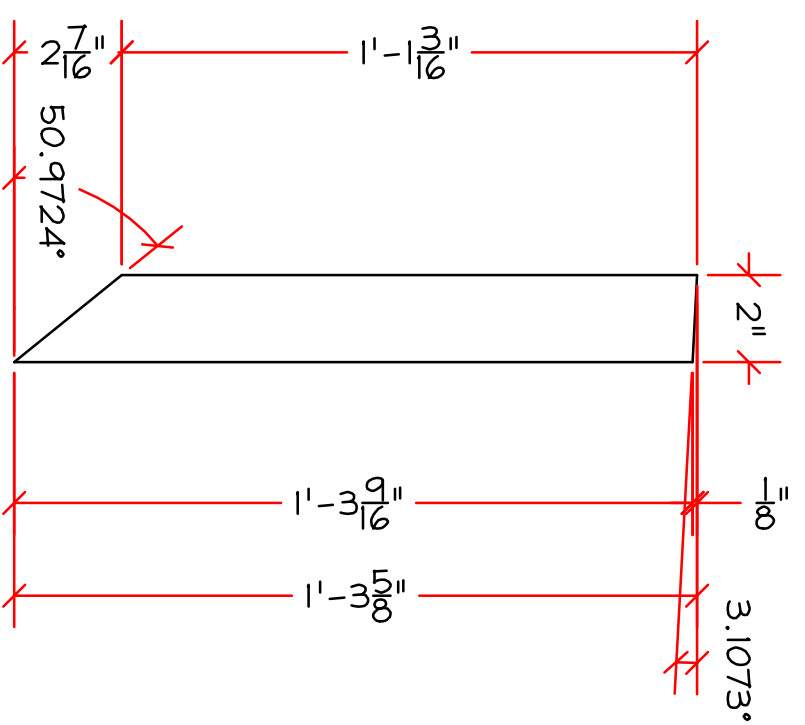
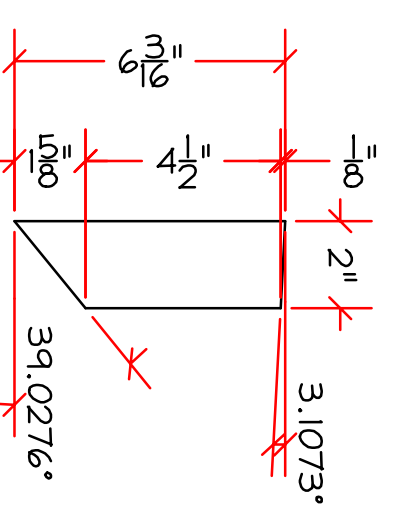


<b>Zimkor</b>		JOB NUMBER	REVISION
7011 West Titan Road Littleton, Co 80125 Ph 303.242.5721 Fax 303.791.1340		CUSTOMER	DATE
Mountain Song Gates		LOCATION	12.8.09
Coleman Construction		DRAWN BY	R. FRK
220 Butternut Ln, Aspen, CO		CHECKED BY	9/03/09, 2/06
INCHES: as noted		FOR FABRICATION	rocky.fox@coaspen.net
SCALE: -		DATE	ASB, J.N.
TWO - HSS 2x1x1/8 - P1		BY NUMBER	
P1		REV NUMBER	

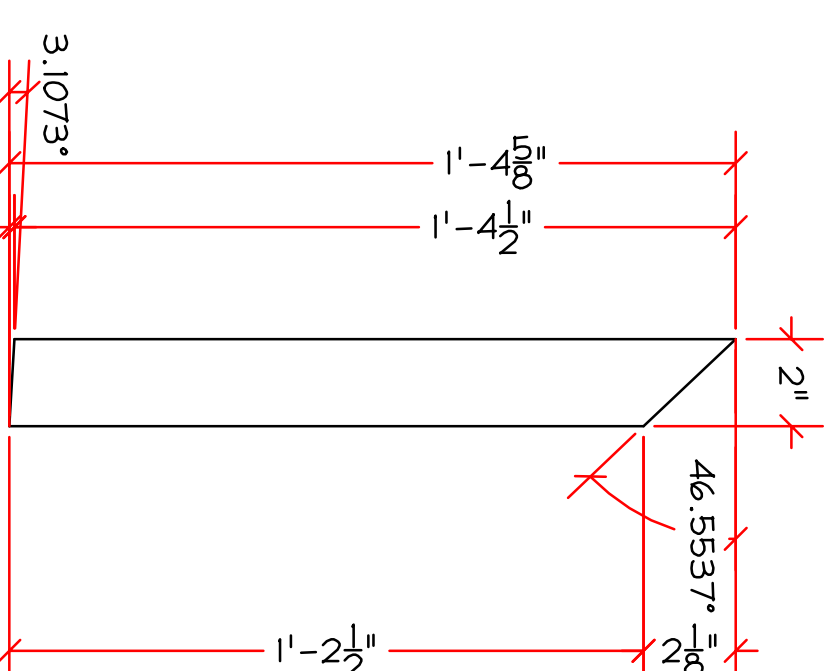
Infill Pieces Drawings



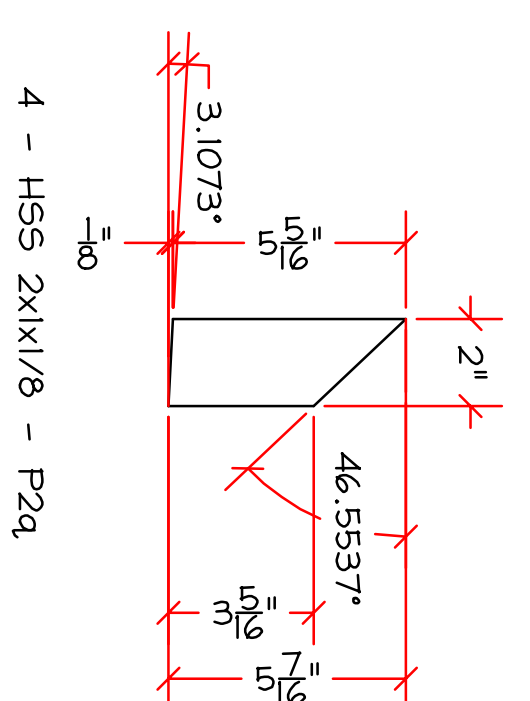
TWO - HSS 2x1x1/8 - P2a



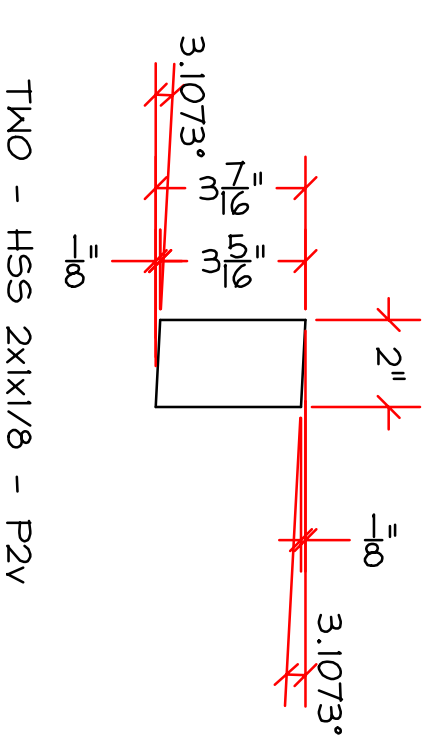
TWO - HSS 2x1x1/8 - P2e



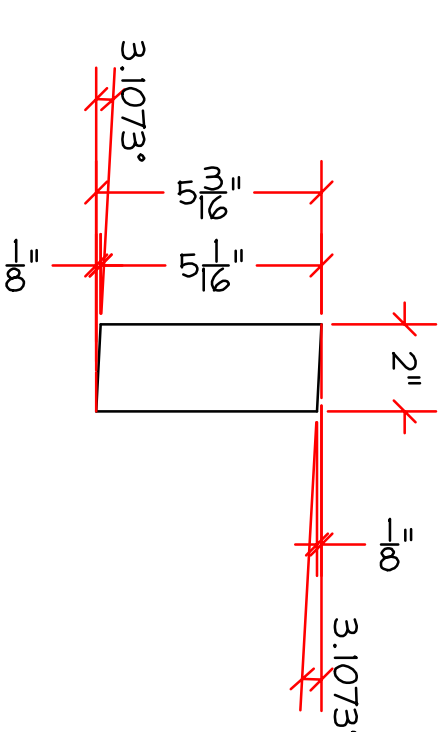
TWO - HSS 2x1x1/8 - P2j



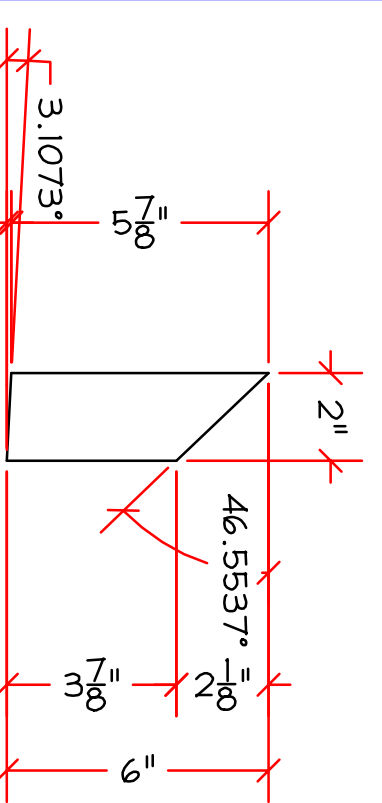
4 - HSS 2x1x1/8 - P2q



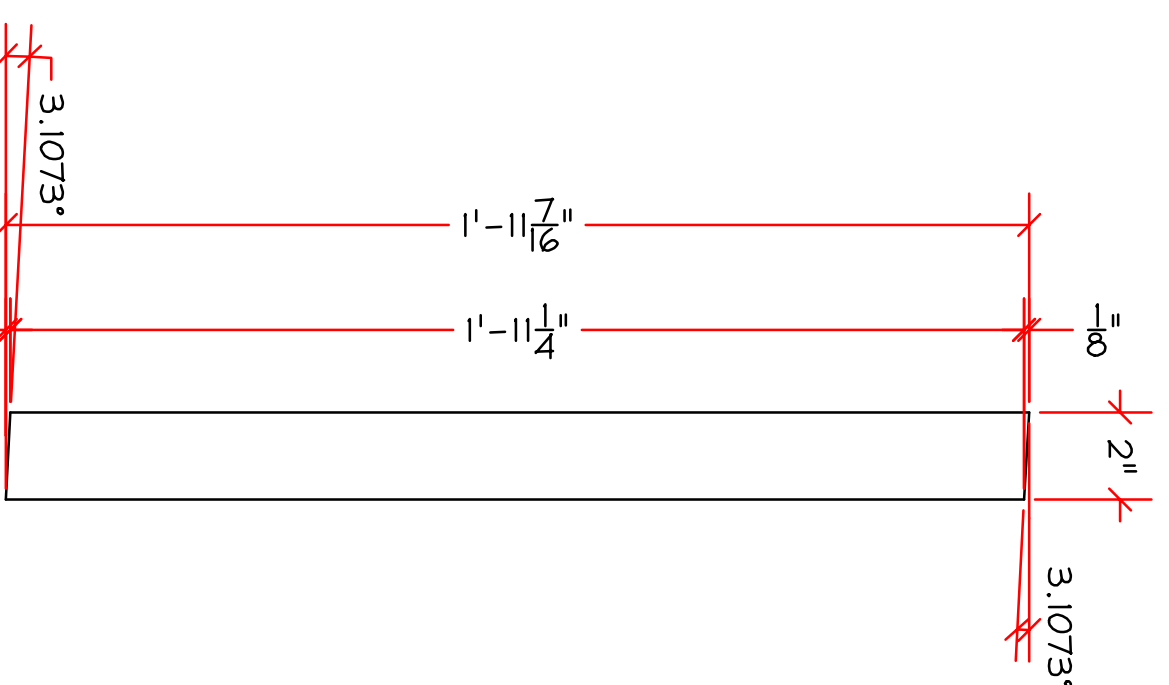
TWO - HSS 2x1x1/8 - P2v



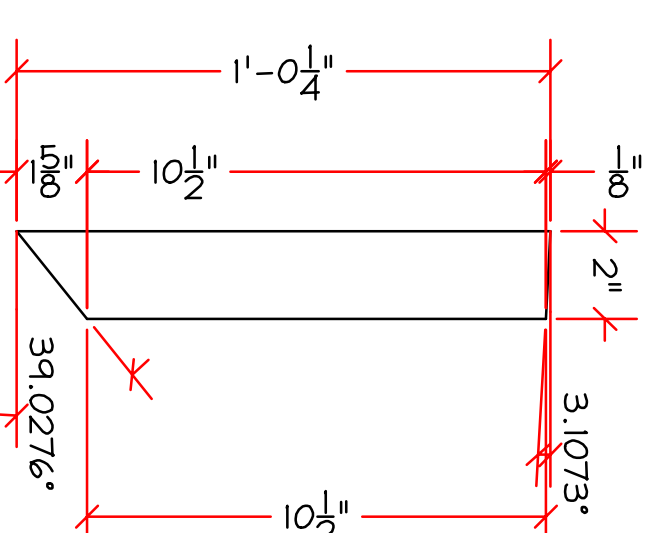
6 - HSS 2x1x1/8 - P2z



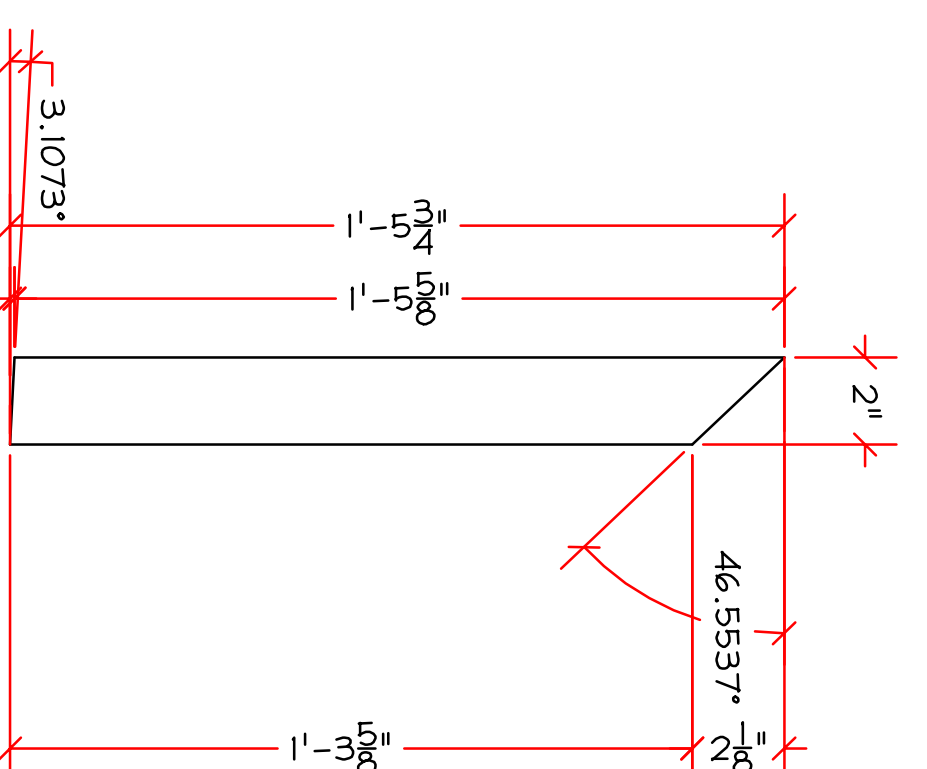
6 - HSS 2x1x1/8 - P2b



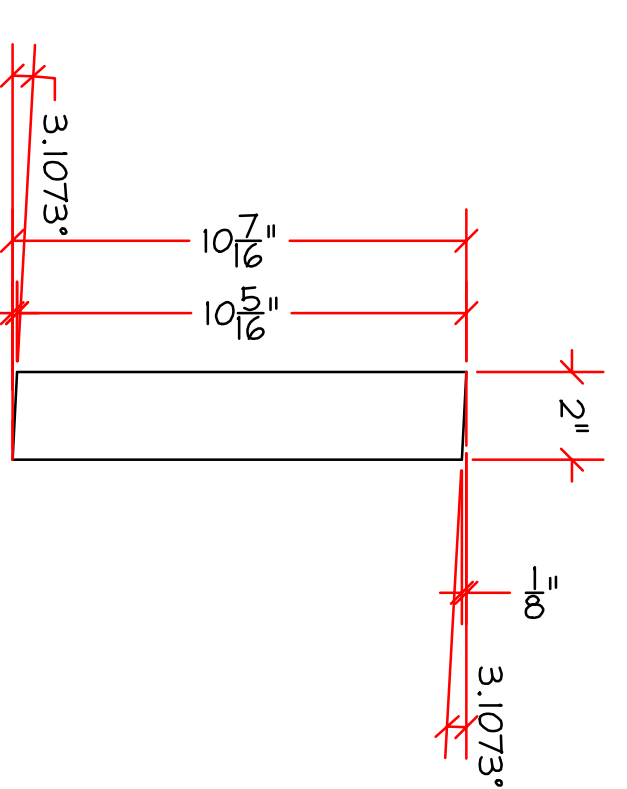
TWO - HSS 2x1x1/8 - P2f



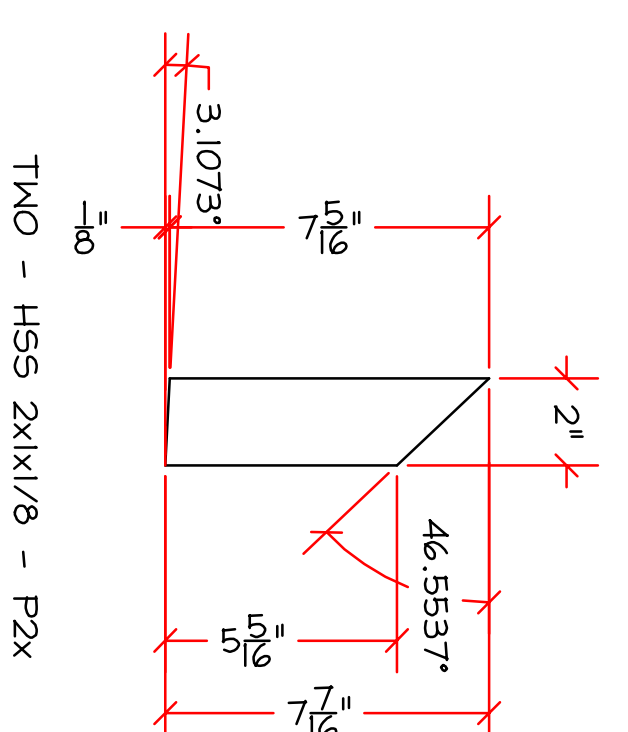
TWO - HSS 2x1x1/8 - P2m



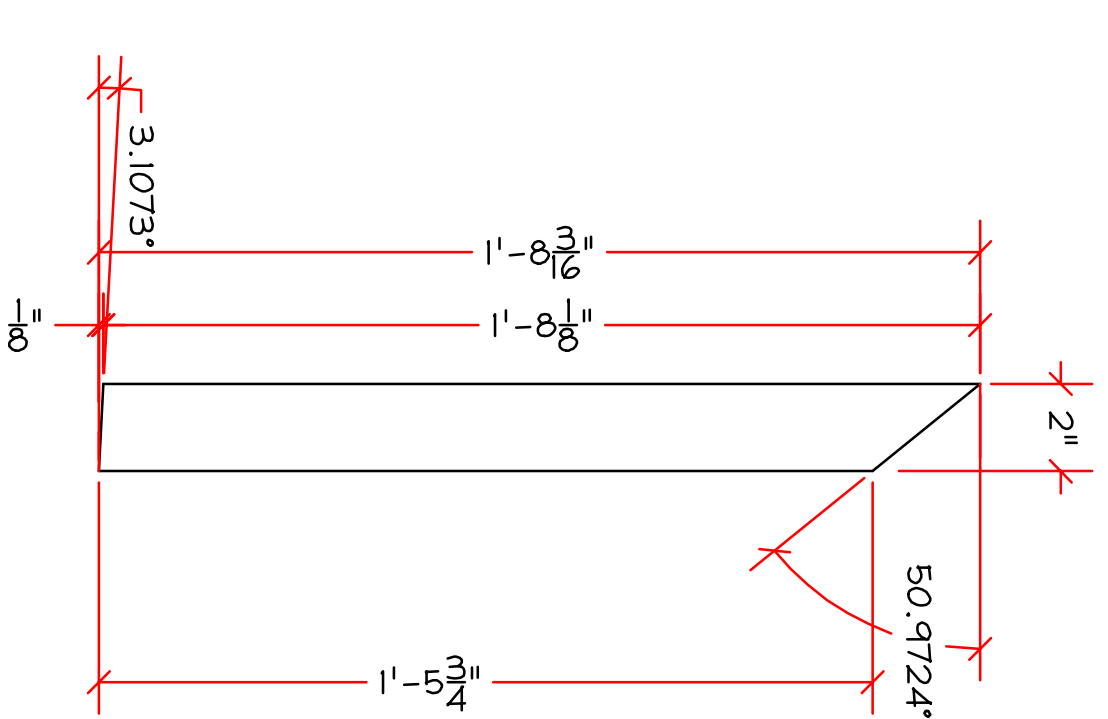
TWO - HSS 2x1x1/8 - P2s



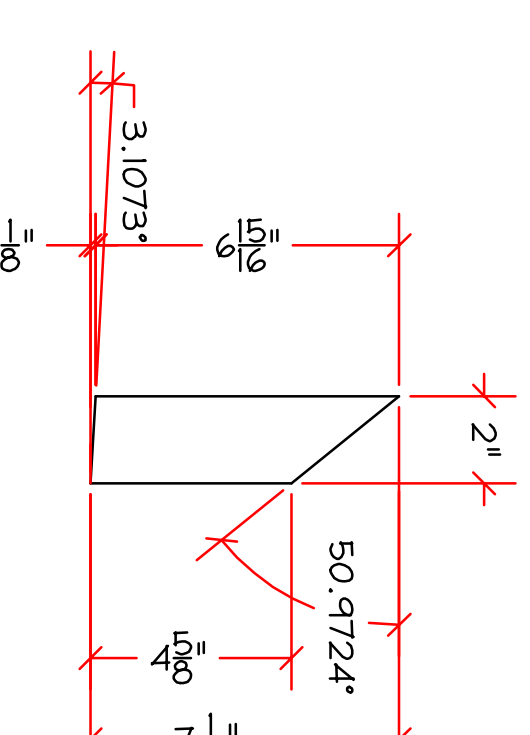
TWO - HSS 2x1x1/8 - P2w



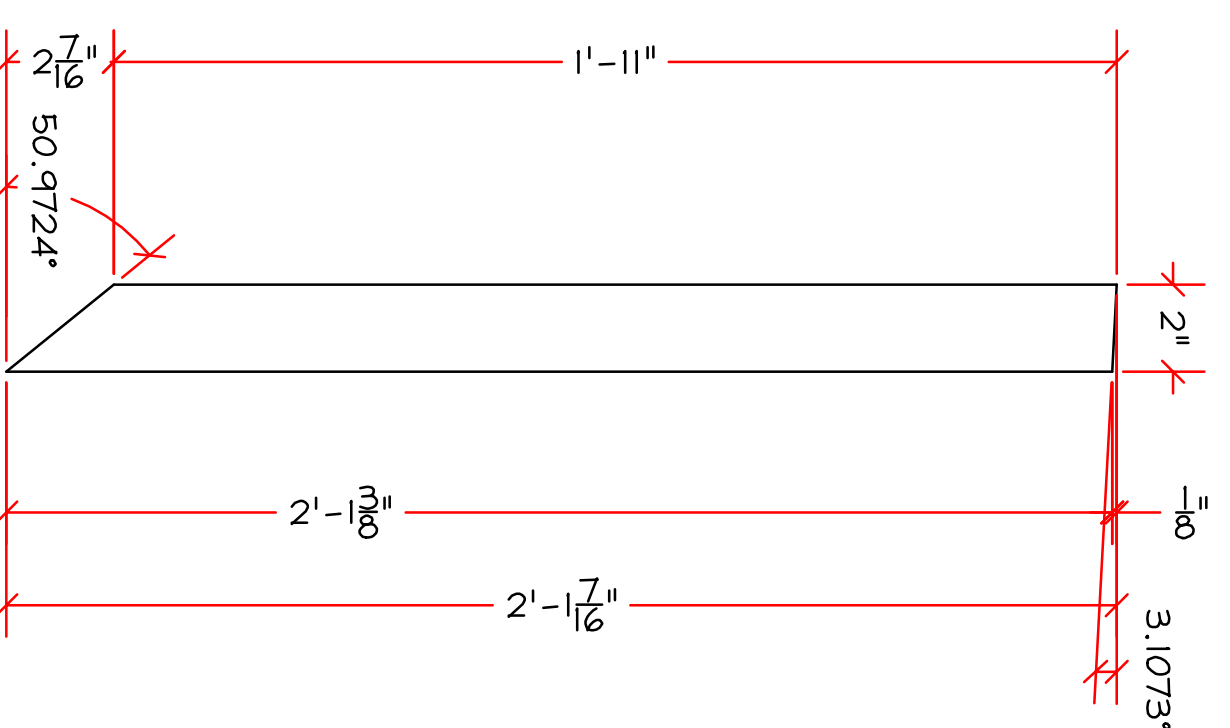
TWO - HSS 2x1x1/8 - P2x



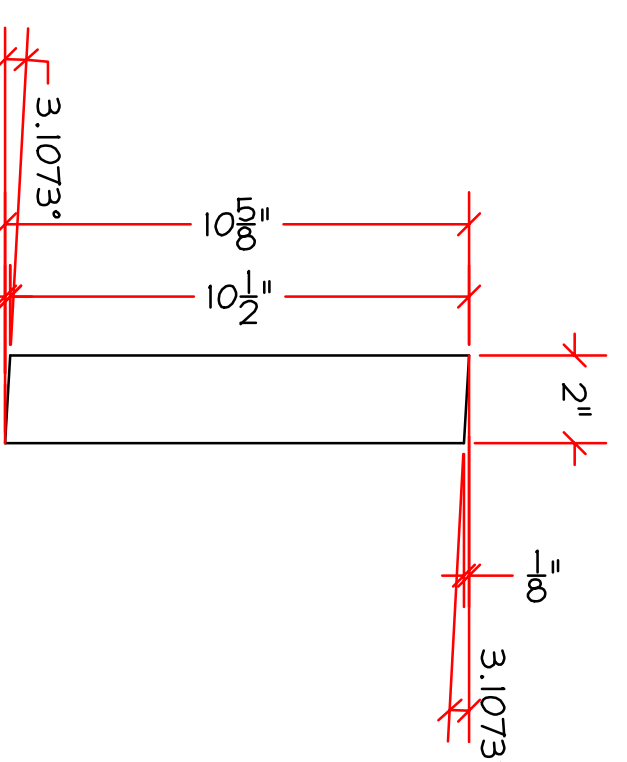
TWO - HSS 2x1x1/8 - P2ab



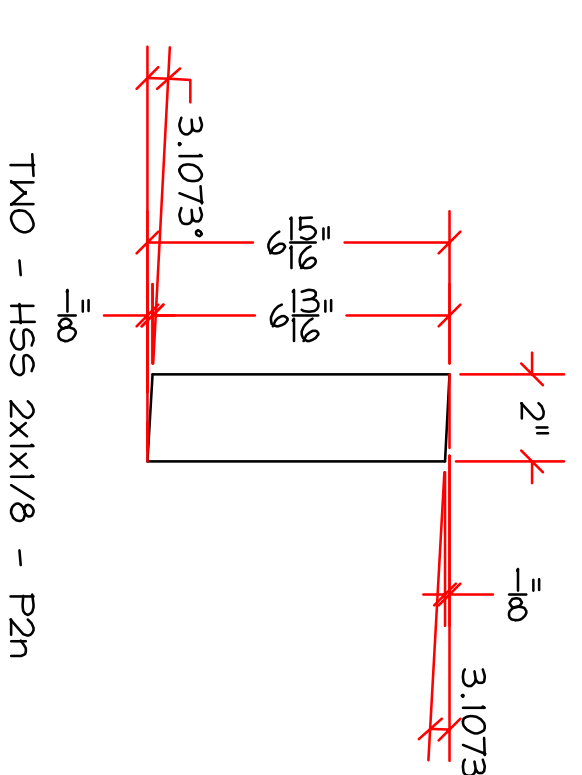
TWO - HSS 2x1x1/8 - P2af



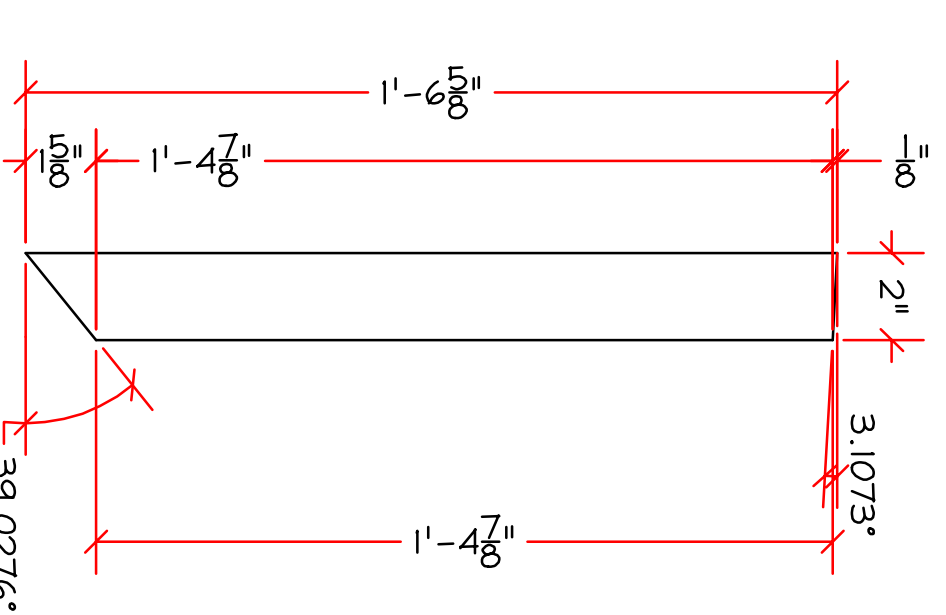
TWO - HSS 2x1x1/8 - P2c



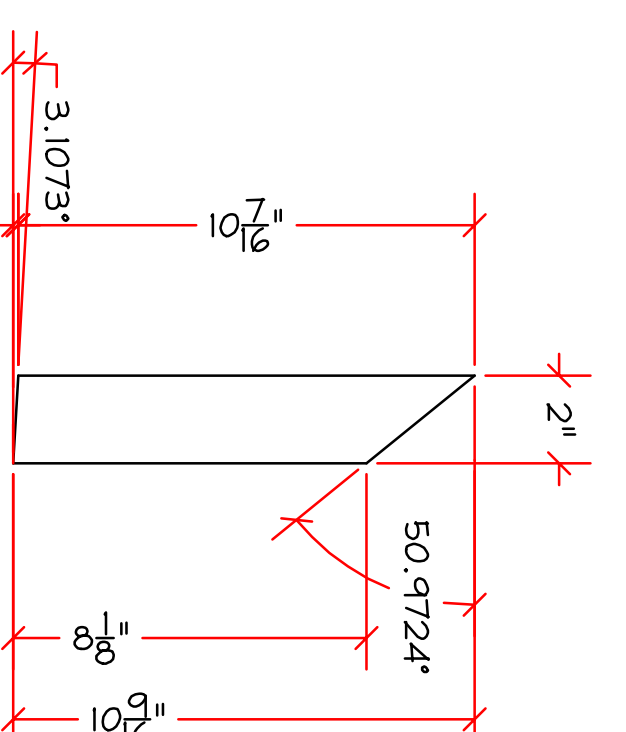
TWO - HSS 2x1x1/8 - P2g



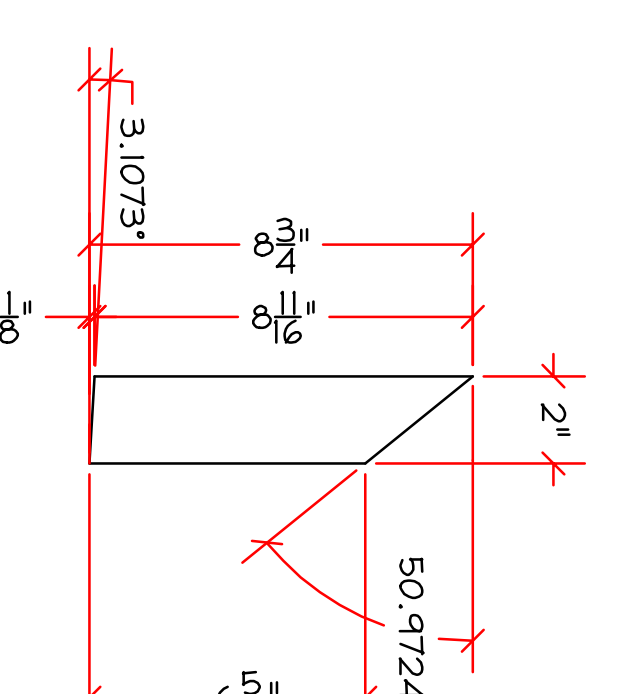
TWO - HSS 2x1x1/8 - P2n



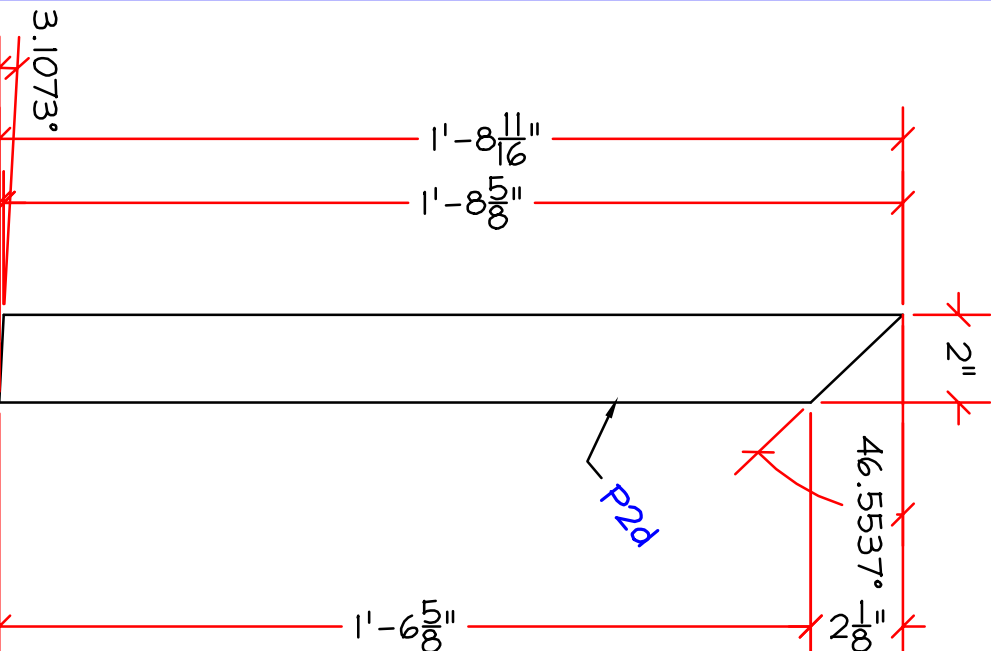
TWO - HSS 2x1x1/8 - P2y



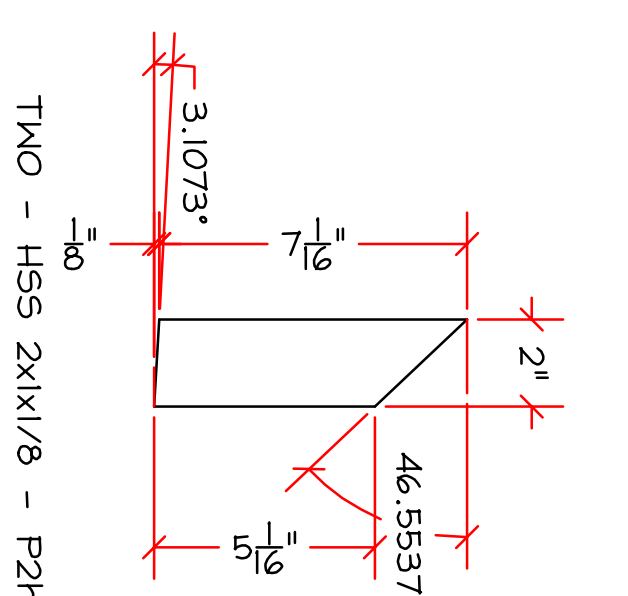
TWO - HSS 2x1x1/8 - P2ac



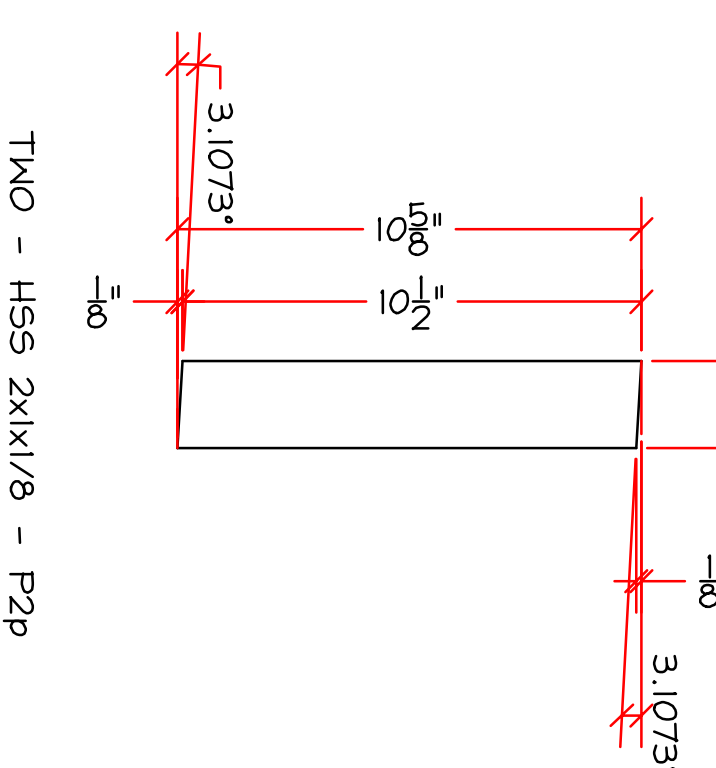
TWO - HSS 2x1x1/8 - P2ag



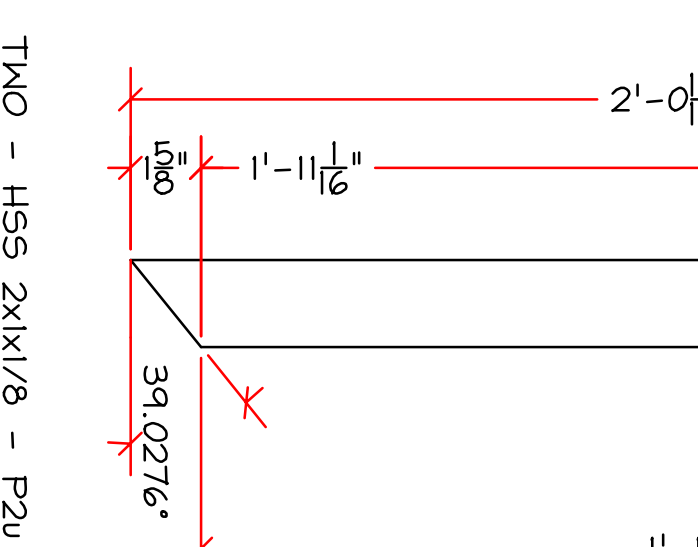
TWO - HSS 2x1x1/8 - P2d



TWO - HSS 2x1x1/8 - P2h



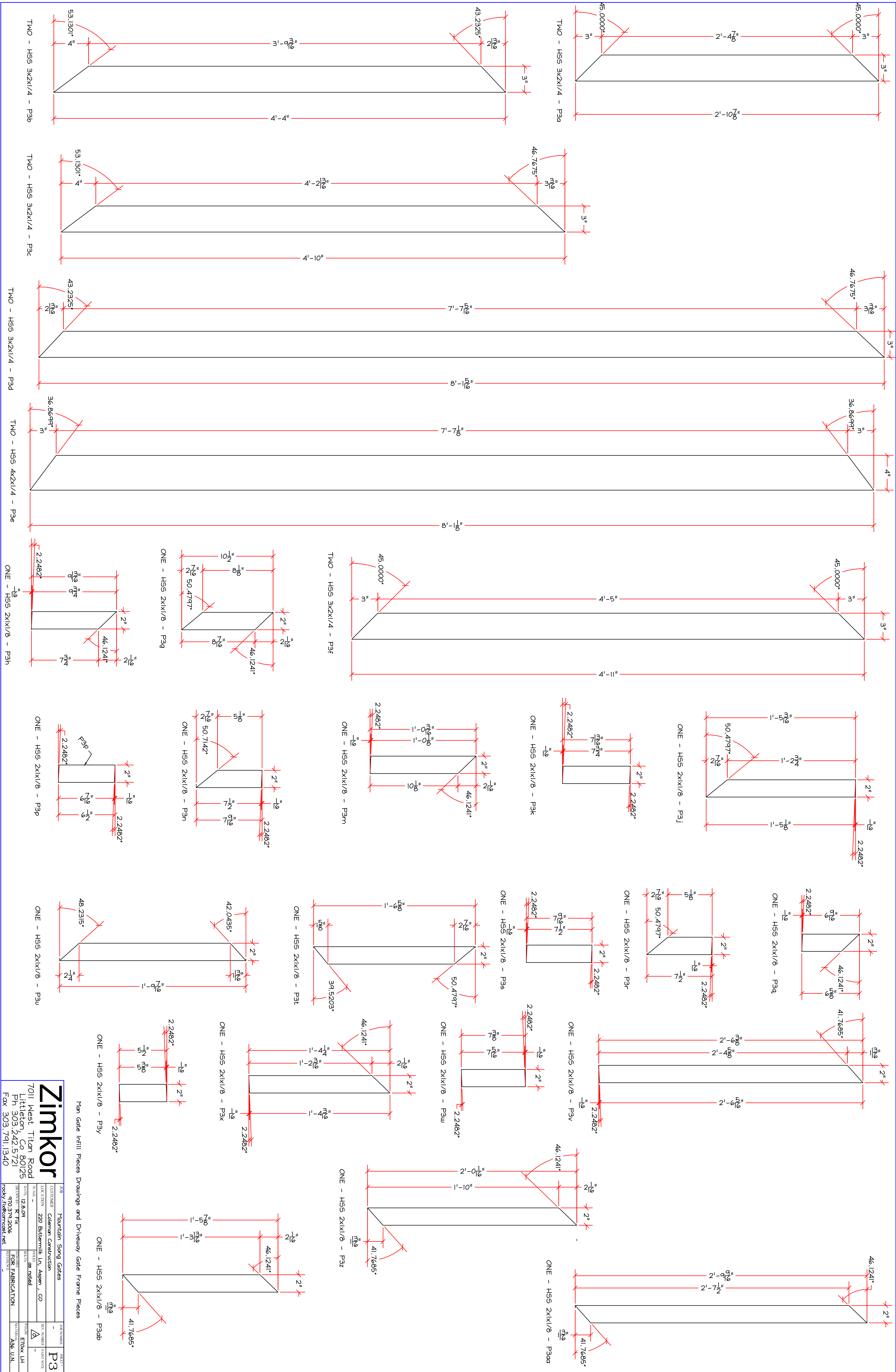
TWO - HSS 2x1x1/8 - P2p



TWO - HSS 2x1x1/8 - P2u

Infill Pieces Drawings

<b>Zimkor</b>		JOB NUMBER	SHEET
7011 West Titan Road Littleton, Co 80125 Ph 303.242.5721 Fax 303.791.1340		CUSTOMER	P2
Mountain Song Gates		LOCATION	220 Butternut Ln, Aspen, CO
DRAWN BY R. FRK		DATE	12.8.09
CHECKED BY J. H. HARRIS		SCALE	AS NOTED
FOR FABRICATION		BY NUMBER	ETOX LH
rocky.mountain.gates.net		DATE	12.8.09
		REVISION	ASB, J.N.

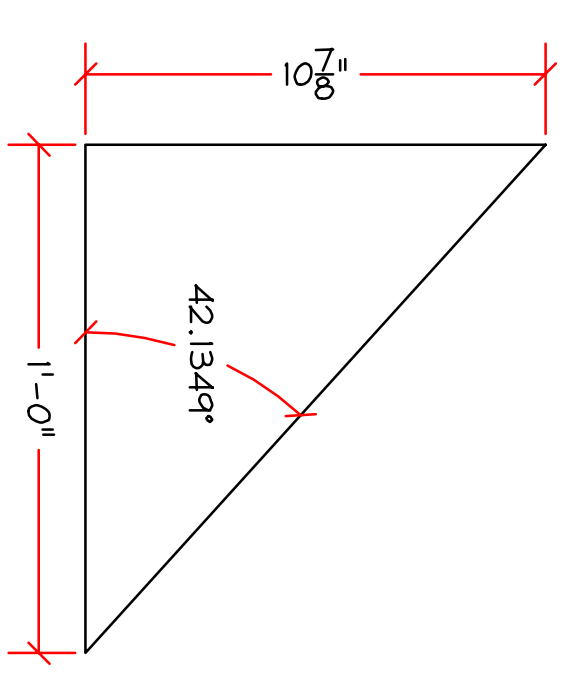
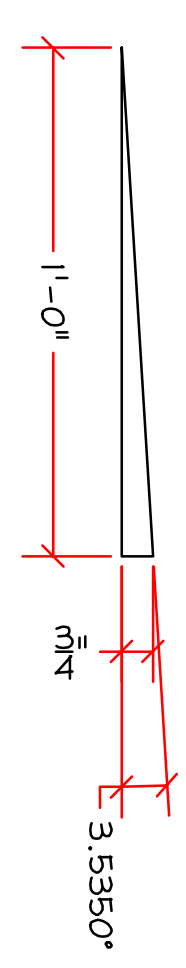
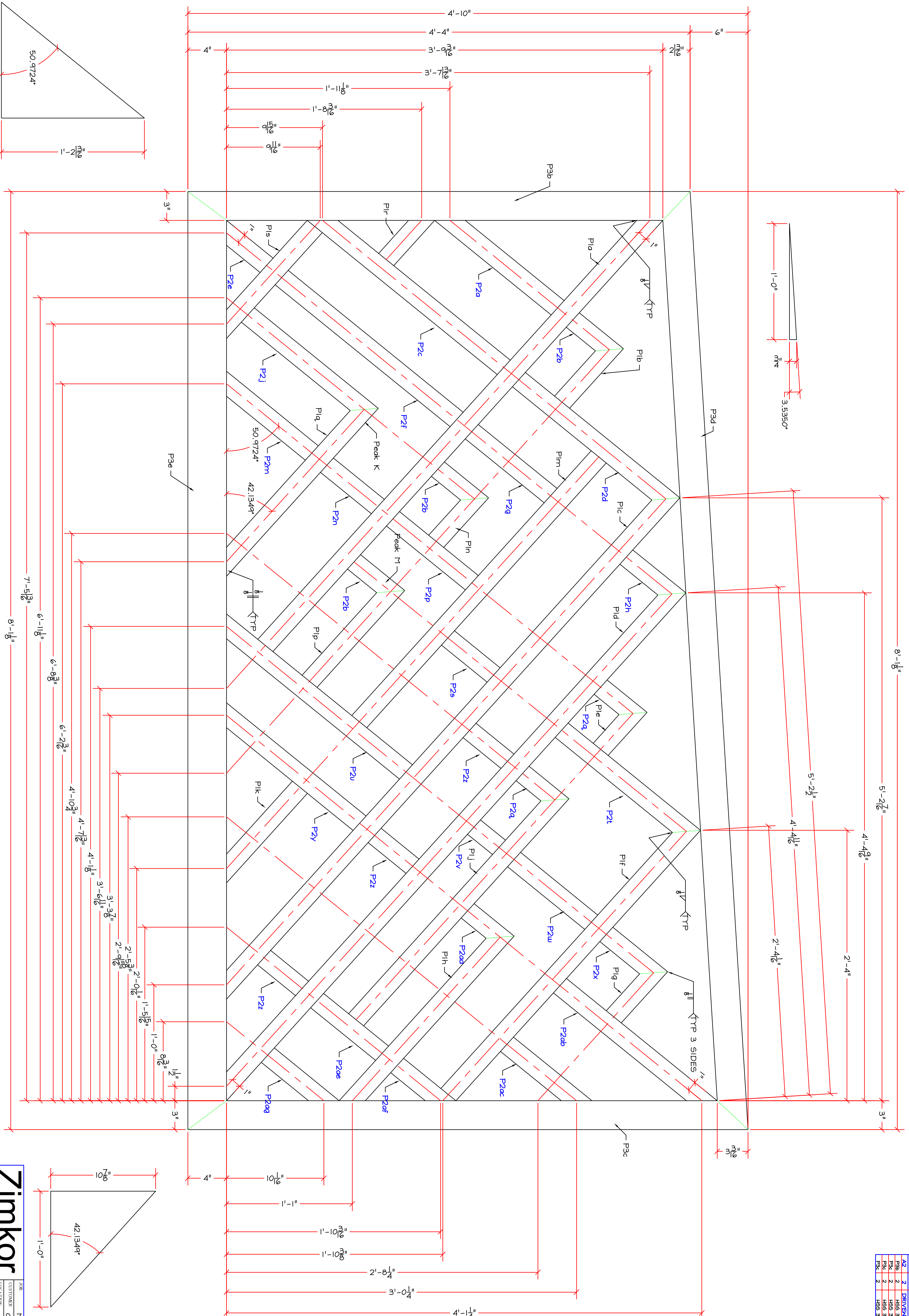


Man Gate Infill Pieces Drawings and Driveway Gate Frame Pieces

<b>Zimkor</b>		7011 West Titan Road Littleton, CO 80125 Ph 303.242.5721 Fax 303.791.1340	
JOB	Mountain Song Gates	REVISED	P3
CUSTOMER	Calman Construction	REV. NUMBER	FRAMWORK
LOCATION	220 Buttermilk Ln, Aspen, CO	DATE	12.8.04
DRAWN BY	R. F. H.	PROJECT	as noted
CHECKED BY	R. F. H.	PROCESS	FABRICATION
DATE	9/03/99.2006	BY	ASB, JLN
APP. BY	frcky@zimkor.com	DATE	



BILL OF MATERIALS				
PIECE MARK	NO. OF PCS	DESCRIPTION	LENGTH IN	NOTES
A2	2	DRIVEWAY GATES		
P3b	2	HSS 3x3x1/4		From SHL P3
P3c	2	HSS 3x3x1/4		From SHL P3
P3e	2	HSS 3x3x1/4		From SHL P3



**TWO - DRIVEWAY GATES  
INFILL LAYOUT**

**Zimkor**  
7011 West Titan Road  
Littleton, CO 80125  
Ph 303.242.5721  
Fax 303.791.1340

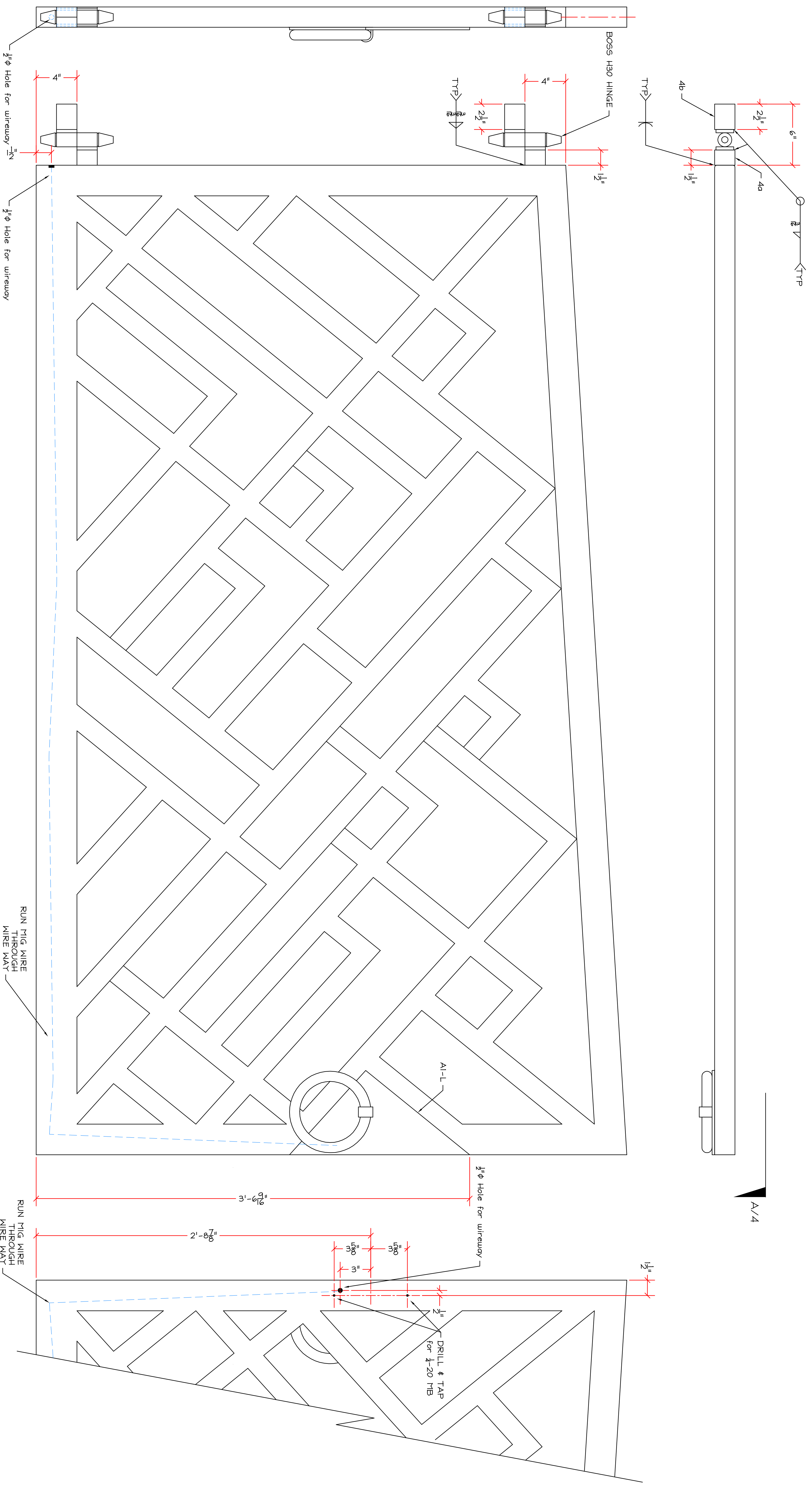
**Job:** Mountain Song Gates  
**Customer:** Gannon Construction  
**Location:** 220 Butternut Ln, Aspen, CO  
**Scale:** -  
**Date:** 12.09  
**Drawn by:** R. Fix  
**Check by:** P. An  
**Project:** DRIVEWAY FABRICATION  
**Reference:** -

**Job Number:** -  
**Rev. Number:** 2  
**Sheet:** 2

**Material:** ETOX LH  
**Manufacturer:** ASB, U.N.



PIECE NO OF MARK PCS	DESCRIPTION	LENGTH Ft	IN	NOTES
A4	ONE DRIVEWAY GATE	0	1 1/2	
4b	2 SB 2	0	2 1/2	
A1-L	ONE LEFT DRIVEWAY GATE PULL			



ONE - DRIVEWAY GATE - A4

SECTION A/4

**Zimkor**  
 7011 West Titan Road  
 Littleton, Co 80125  
 Ph 303.242.5721  
 Fax 303.791.1340

JOB	Mountain Song Gates	DRAWN BY	R FR
CUSTOMER	Coleman Construction	DATE	12.8.04
LOCATION	220 Butternut Ln, Aspen, CO	PROJECT	as noted
SCALE	-	FOR FABRICATION	
REV NUMBER	4	MATERIAL	ETOX LH
REVISION		REFERENCE	

rocky@zimkor.com.net

