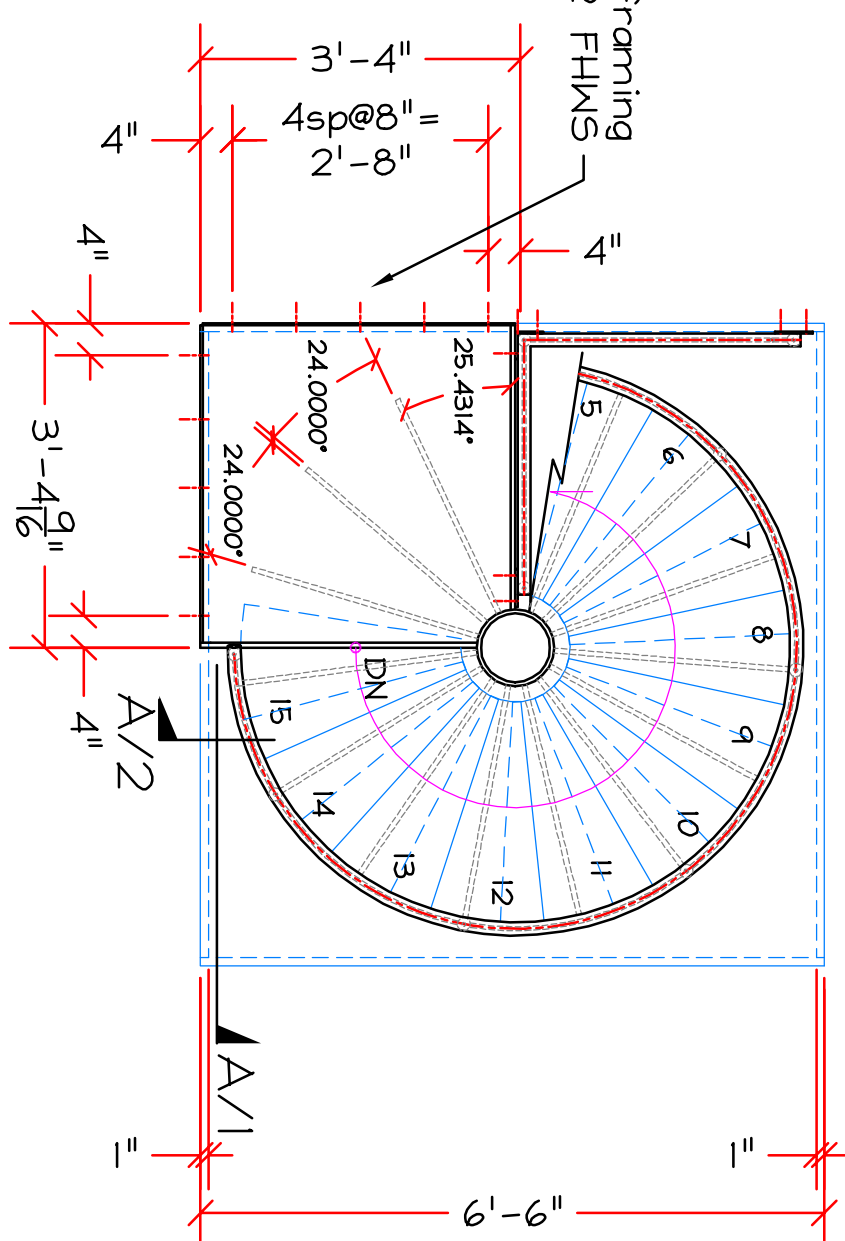
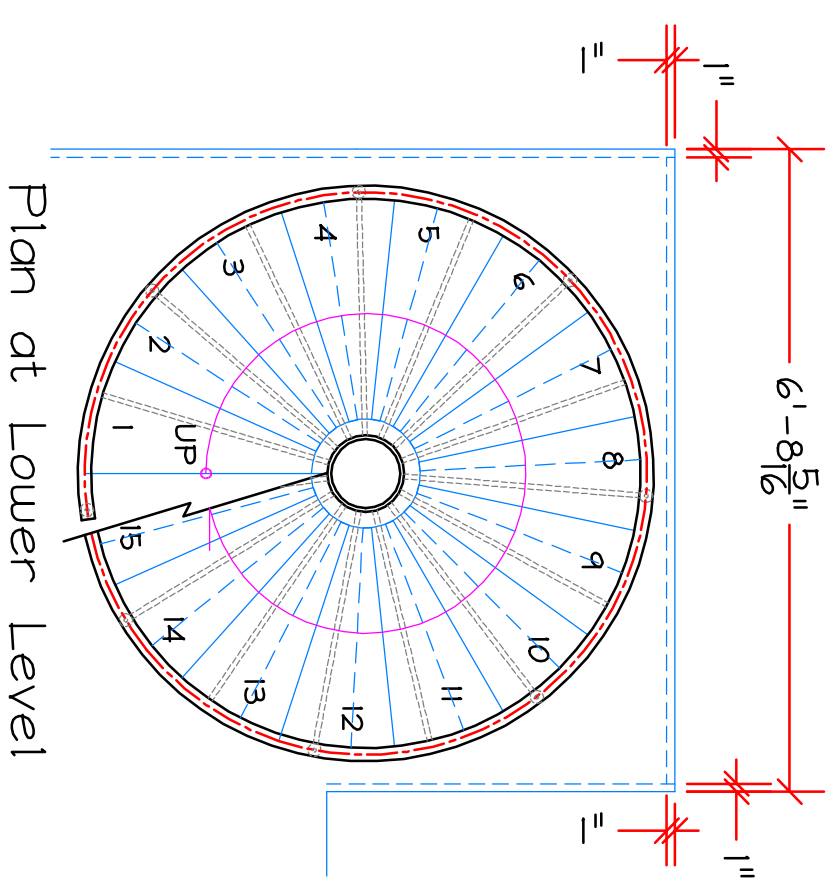


Landing mounts to framing with #12 FHMS



Plan at Upper Level

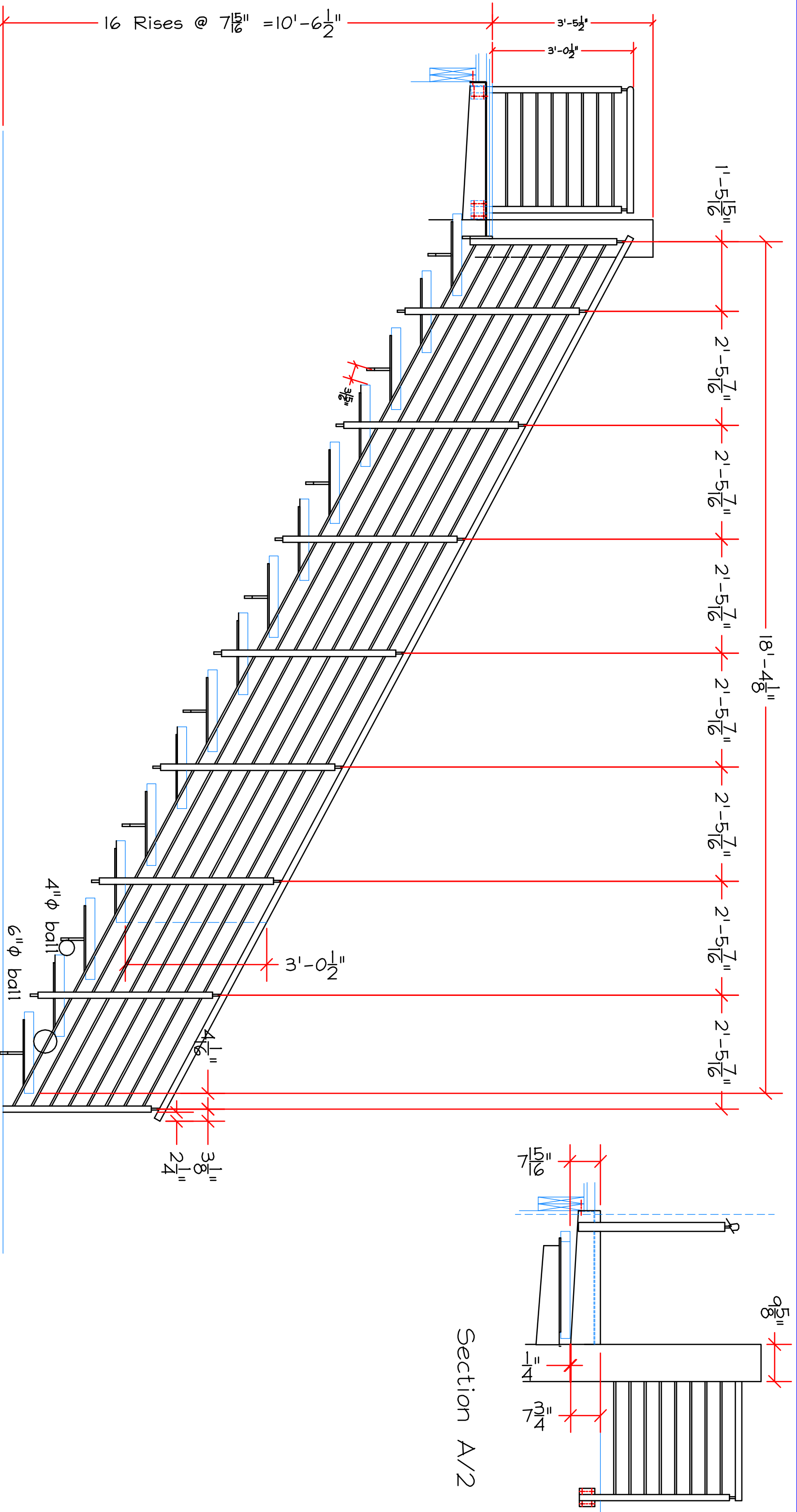


Plan at Lower Level

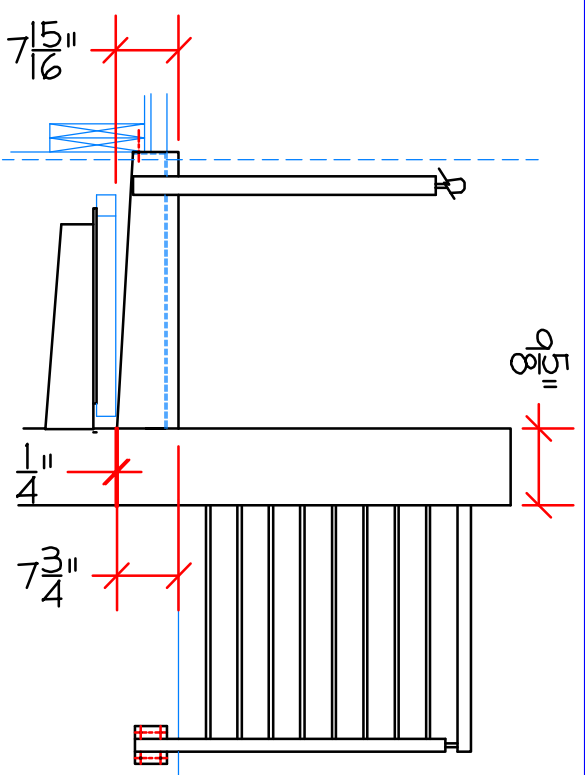
**Down Valley Welding**

Ph 970.625.9028 Cell 970.274.9734  
e-mail maycapital@msn.com

|           |                    |           |              |        |       |           |                                       |              |   |             |     |
|-----------|--------------------|-----------|--------------|--------|-------|-----------|---------------------------------------|--------------|---|-------------|-----|
| JOB:      | Smith Spiral Stair | MATERIAL: | A36 U.N.     | HOLES: | -     | REMARKS:  | For Approval                          | JOB NUMBER:  | - | SHEET #:    | 1   |
| CUSTOMER: | Dolan Construction | DATE:     | 4.19.10      | BOLTS: | -     | DRAWN BY: | R Fix                                 | REV. NUMBER: | - | PAINT NOTE: | TBD |
| LOCATION: | Vail, CO           | SCALE:    | 1/2" = 1'-0" | WELDS: | E70xx |           | 970.379.2006<br>rocky.fix@comcast.net |              |   |             |     |

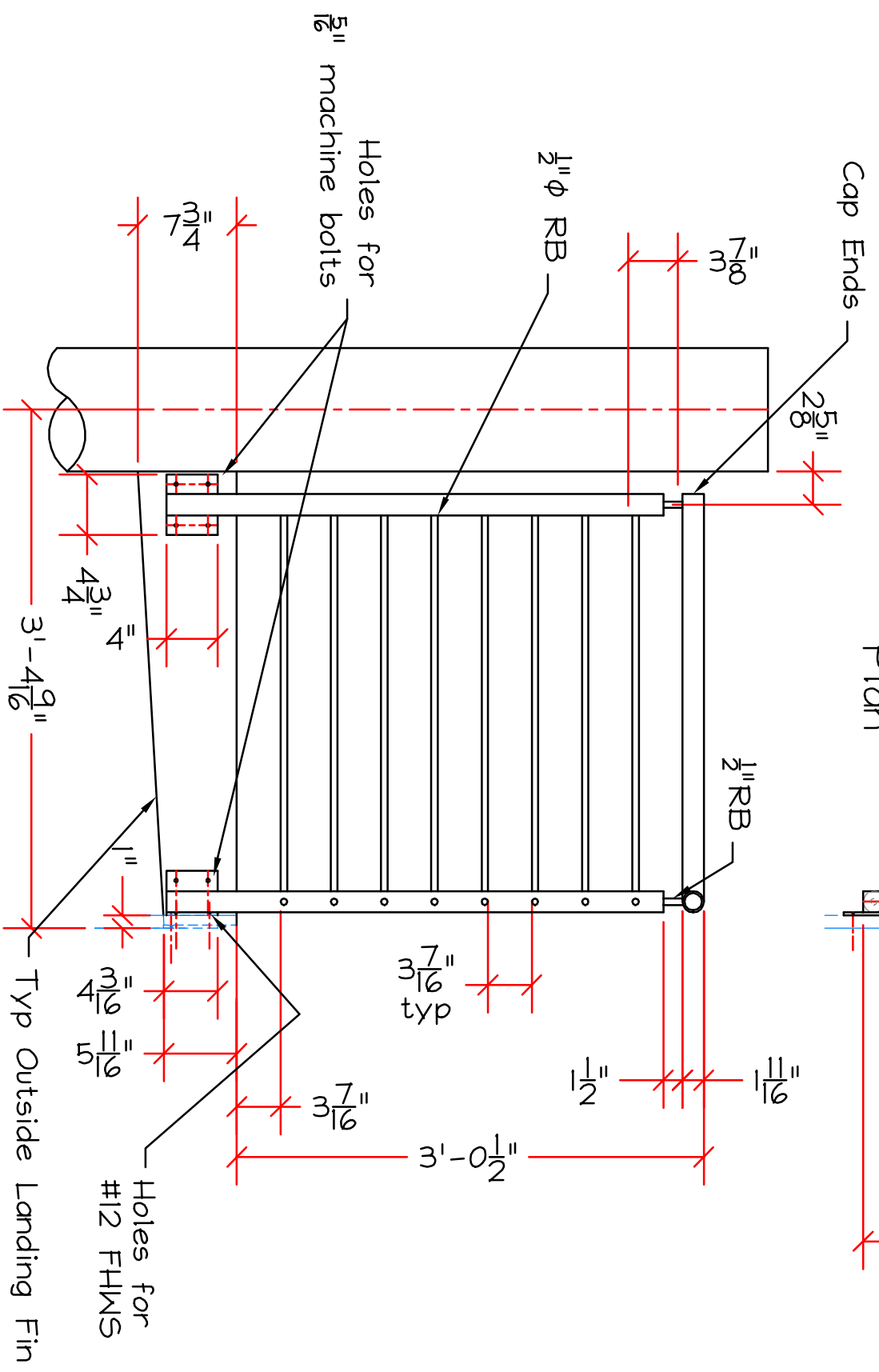
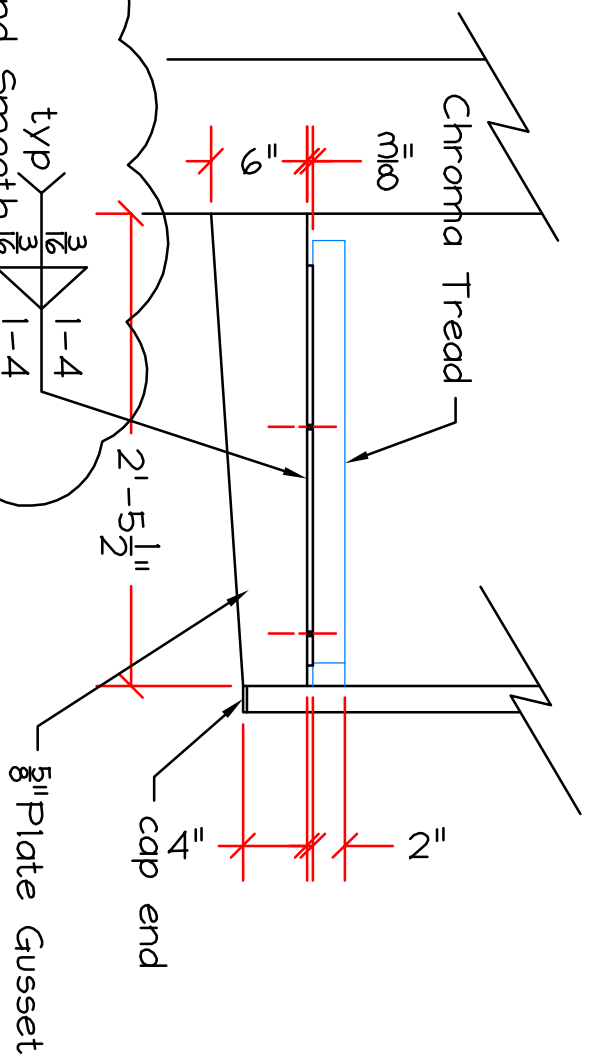
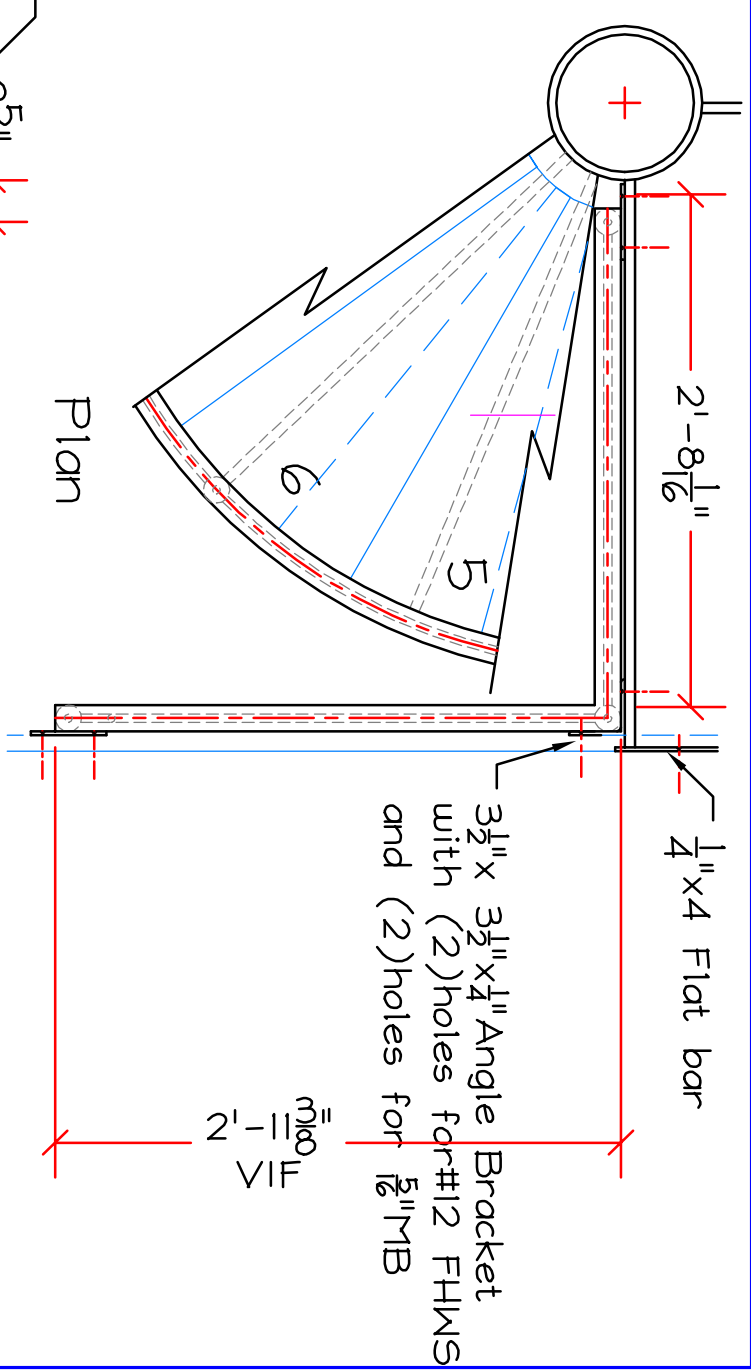
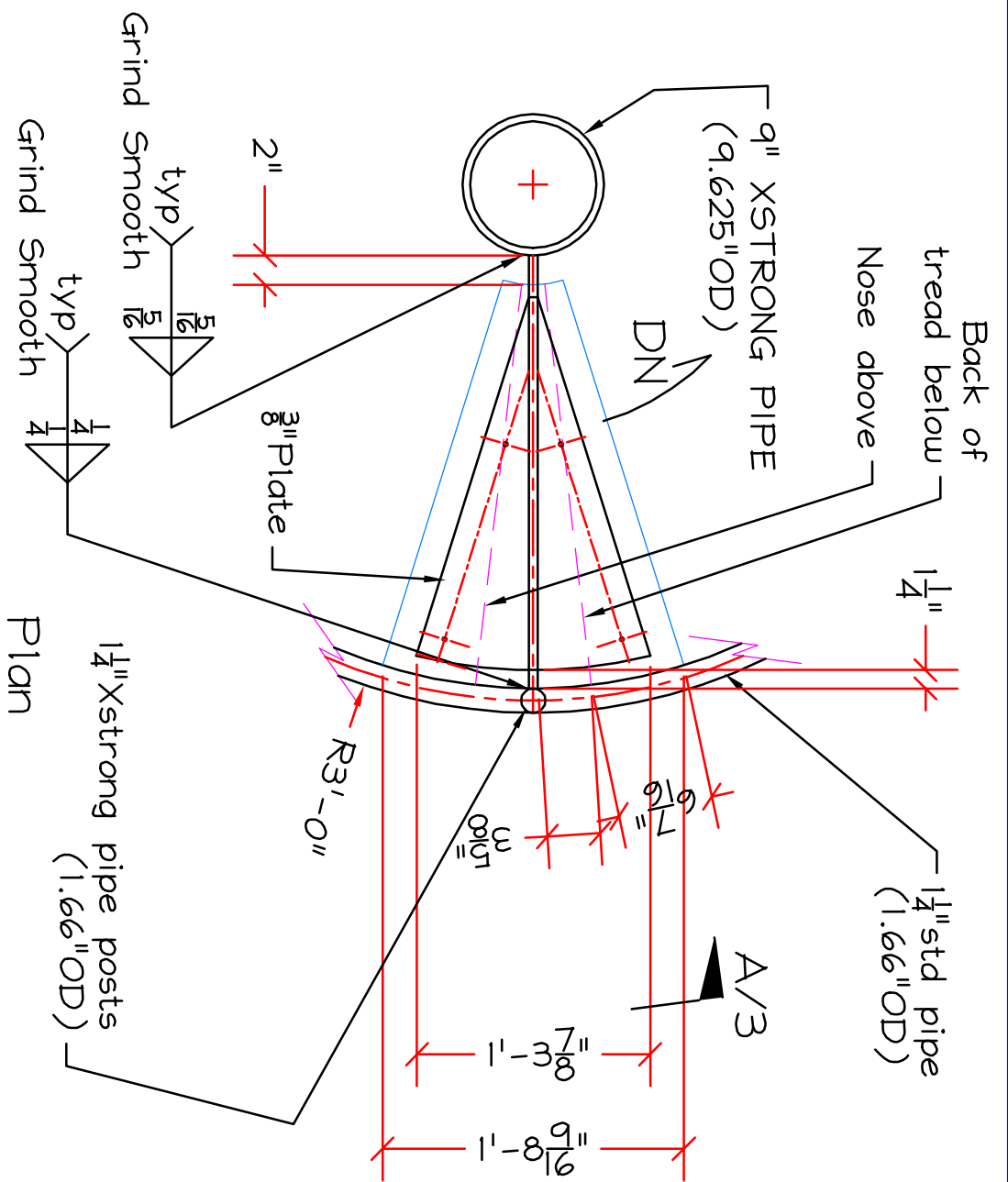


Elevation of rail laid out flat at Railing center line  
using 8 horizontals



Section A/2

|  |  |                         |                     |                          |  |                |                 |
|--|--|-------------------------|---------------------|--------------------------|--|----------------|-----------------|
| <b>Down Valley Welding</b>                                     |  | JOB: Smith Spiral Stair | MATERIAL: A36 U.N.  | HOLES: -                 | REMARKS: For Approval                                    | JOB NUMBER: -  | SHEET #: 2      |
| Ph 970.625.9028 Call 970.274.9734<br>e-mail maycapital@msn.com | CUSTOMER: Dolan Construction<br>LOCATION: Vail, CO | DATE: 4.19.10           | SCALE: 1/2" = 1'-0" | BOLTS: -<br>WELDS: E70XX | DRAWN BY: R Fix<br>970.379.2006<br>rocky.fix@comcast.net | REV. NUMBER: - | PAINT NOTE: TBD |



Single Tread Detail

**Down Valley Welding**  
 Ph 970.625.9028 Cell 970.274.9734  
 e-mail maycapital@msn.com

|                              |                    |              |                                       |                |                 |
|------------------------------|--------------------|--------------|---------------------------------------|----------------|-----------------|
| JOB: Smith Spiral Stair      | MATERIAL: A36 U.N. | HOLES: -     | REMARKS: For Approval                 | JOB NUMBER: -  | SHEET*: 3       |
| CUSTOMER: Dolan Construction | DATE: 4.19.10      | BOLTS: -     | DRAWN BY: R Fix                       | REV. NUMBER: - | PAINT NOTE: TBD |
| LOCATION: Vail, CO           | SCALE: 1" = 1'-0"  | WELDS: E70xx | 970.379.2006<br>rocky.fix@comcast.net |                |                 |