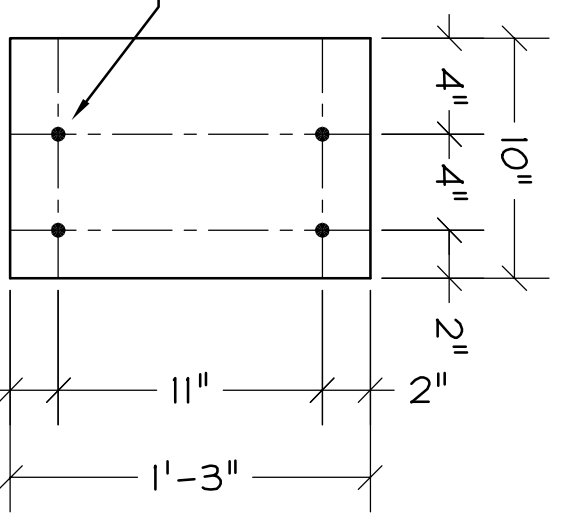
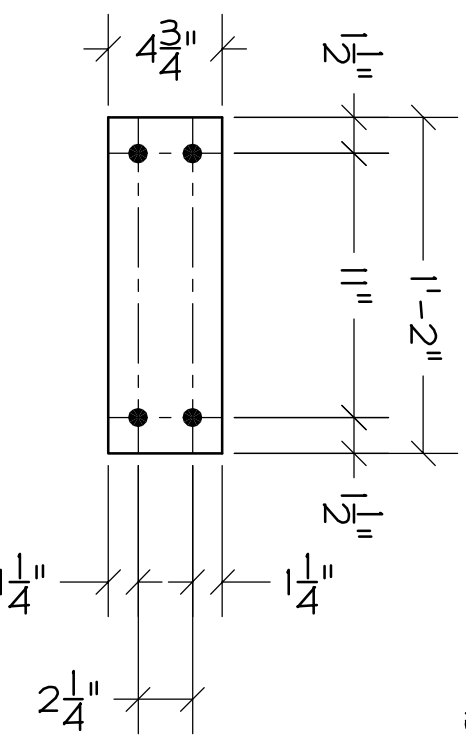
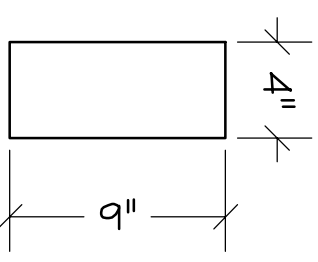


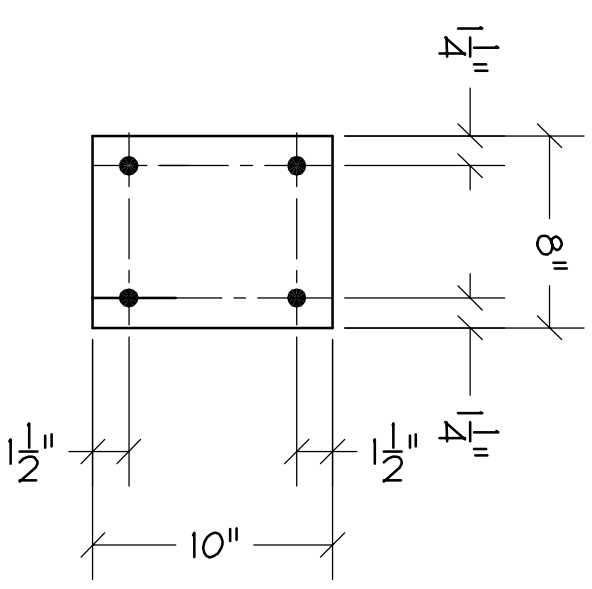
6 -CAP PLATE-P46



13 -BASE PLATE-P47



7 -CAP PLATE-P48

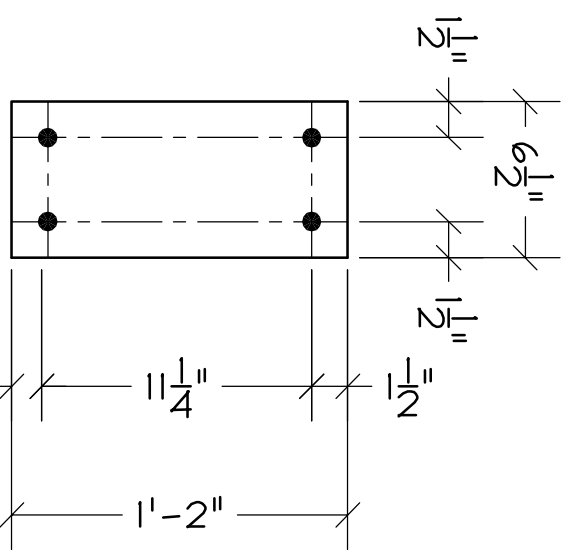


4 -CAP PLATE-P49

ONE -CAP PLATE-P50

BILL OF MATERIALS

PIECE NO. OF MARK	NO. OF PCS	DESCRIPTION	LENGTH		NOTES
			Ft	In	
P46	6	CAP PLATE FB 1/4 x 7	0	7	
P47	13	BASE PLATE FB 1 x 10	1	3	
P48	7	CAP PLATE FB 3/8 x 4	0	9	
P49	4	CAP PLATE FB 3/4 x 8	0	10	
P50	ONE	CAP PLATE PL 3/4 x 6 1/2	1	2	
P51	2	CAP PLATE PL 3/4 x 6 1/2	1	2	
P52	2	BEAM C 8 x 11.5	3	9 3/4	
P53	ONE	BEAM C 8 x 11.5	4	0 1/4	
P54	ONE	BEAM C 8 x 11.5	3	6 1/4	
P55	ONE	BEAM C 8 x 11.5	6	10 1/4	
P56	ONE	BEAM C 8 x 11.5	8	3 7/8	



2 -CAP PLATE-P51

2-(P52)	3'-9 3/4"
ONE-(P53)	4'-0 1/4"
ONE-(P54)	3'-6 1/4"
ONE-(P55)	6'-10 1/4"
ONE-(P56)	8'-3 7/8"

**Innovative Ironworks**  
 32339 US Hwy 6#24  
 Silt, Co 81652  
 Ph 970.0750

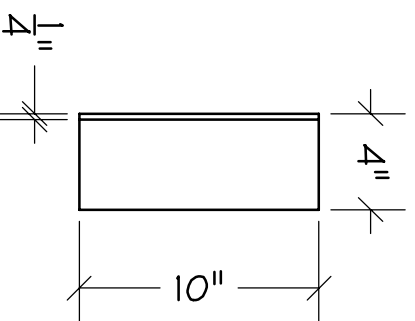
DRAWING TITLE:  
**PARTS**  
 JOB: CITY MARKET  
 REFERENCE: E3

MATERIAL: A992, A36  
 A36, Grade 500 B UNO  
 DATE: 9.20.10  
 SCALE:

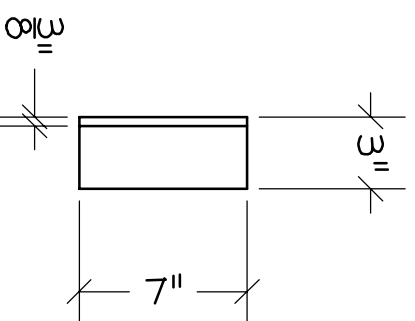
REMARKS:  
 For Approval  
 DRAWN BY: R Fix  
 970.379.2006  
 rocky.fix@comcast.net

PAINT NOTE  
 sc/Red Primer  
 HOLES: 13/16 φ

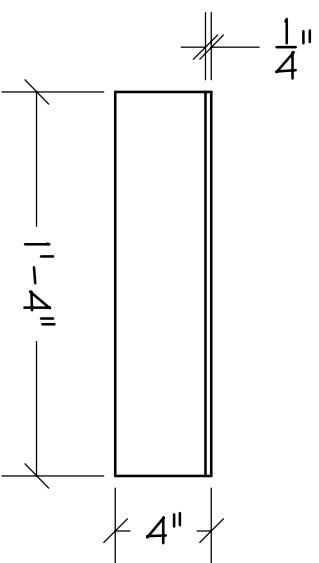
SHEET #  
**PF1**  
 REV. NUMBER  
**A**



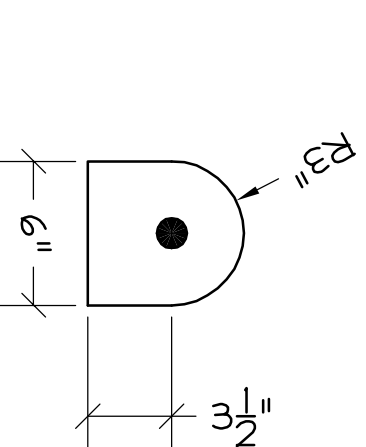
4 - ANGLE CLIP-P37



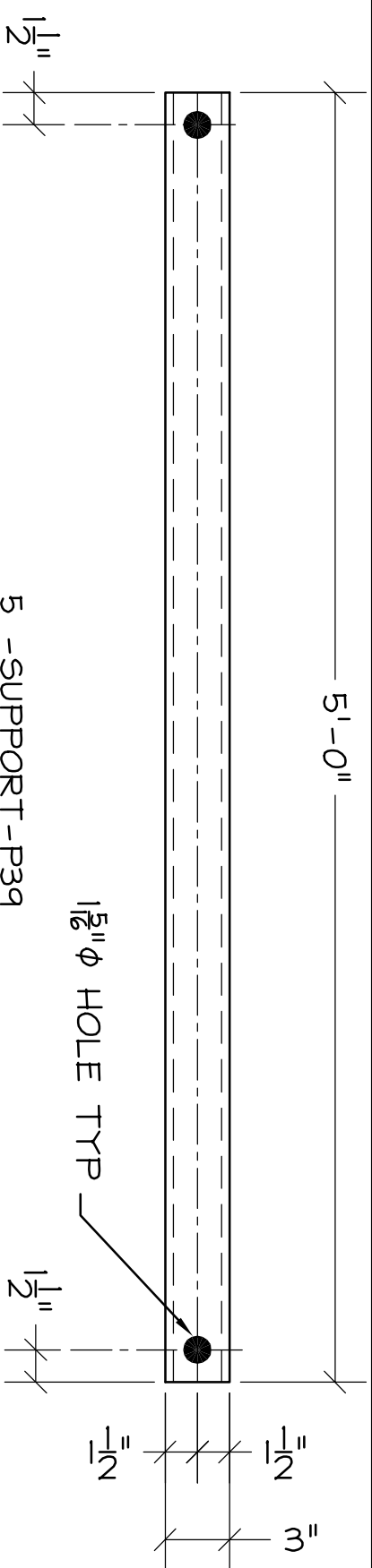
12 - ANGLE CLIP-P38



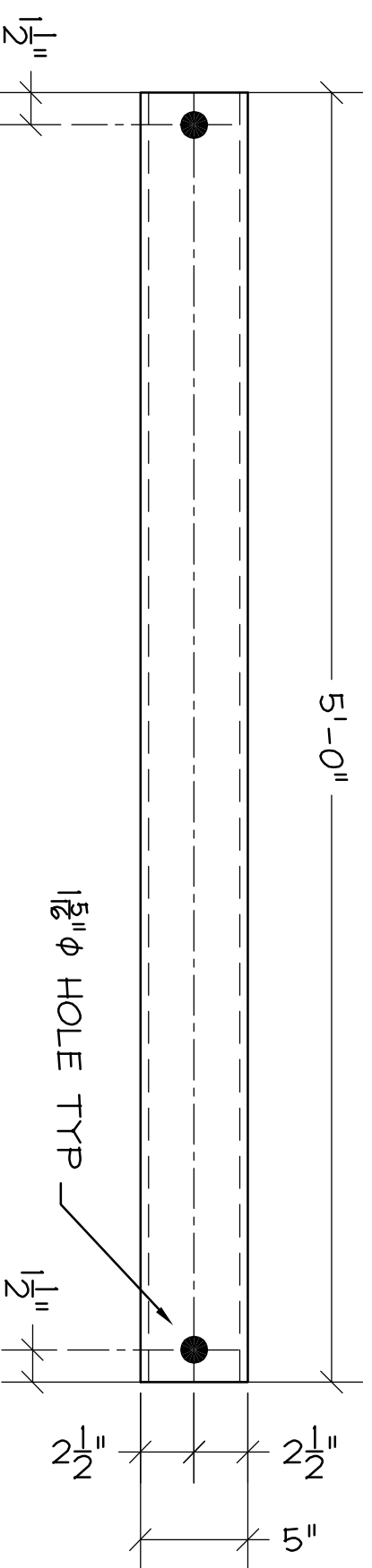
2 - ANGLE CLIP-P40



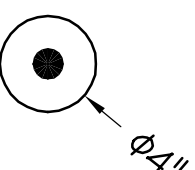
20-BRACKET-P41



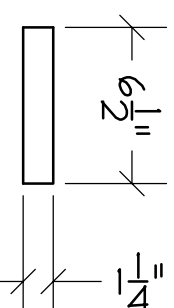
5 - SUPPORT-P39



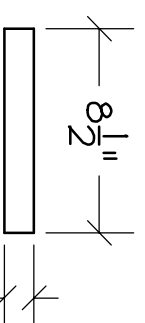
2 - SUPPORT-P42



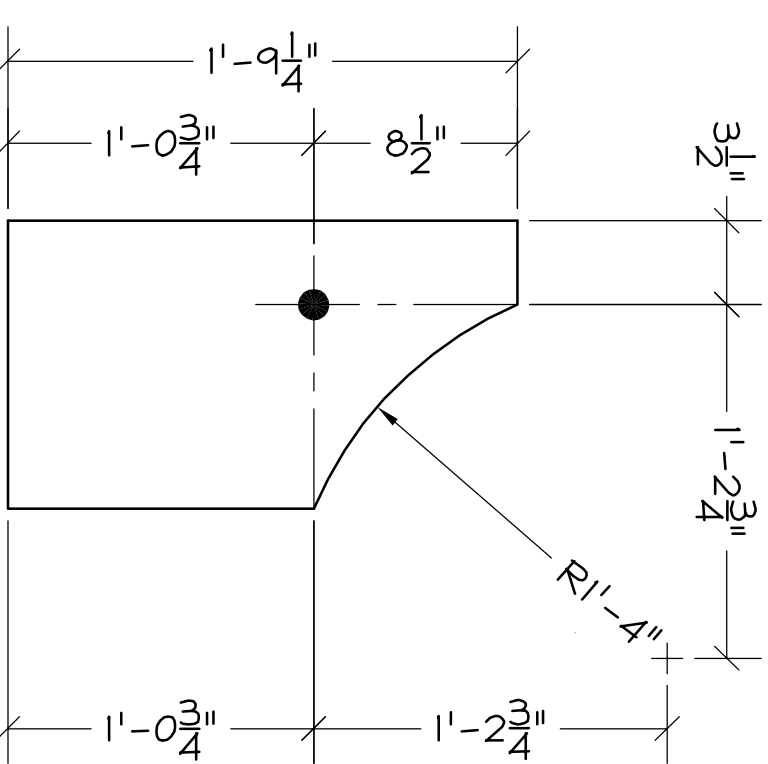
28 - DISK-P43



10-PIN-P44



4-PIN-P45



4 - BRACKET-P46

PIECE NO. OF MARK	NO. OF PCS	DESCRIPTION	LENGTH		NOTES
			Ft	In	
P37	4	ANGLE CLIP			
	4	L 4 x 4 x 1/4	0	10	
P38	12	ANGLE CLIP			
	12	L 3 x 3 x 3/8	0	7	
P39	5	SUPPORT			
	5	HSS 3 x 3 x 1/4	5	0	
P40	2	ANGLE CLIP			
	2	L 4 x 4 x 1/4	1	4	
P41	20	BRACKET			
	20	FB 1/2 x 6	0	6 1/2	
P42	2	SUPPORT			
	2	HSS 5 x 5 x 1/2	5	0	
P43	28	DISK			
	28	1/4 x 4 phi DISK			
P44	10	PIN			
	10	1 1/4 phi ROD	0	6 1/2	
P45	4	PIN			
	4	1 1/4 phi ROD	0	8 1/2	
P46	4	BRACKET			
	4	FB 1/2 x 12	1	9 1/4	

**Innovative Ironworks**  
 32339 US Hwy 6#24  
 Silt, Co 81652  
 Ph 970.0750

DRAWING TITLE:  
**PARTS**  
 JOB: CITY MARKET  
 REFERENCE: E3

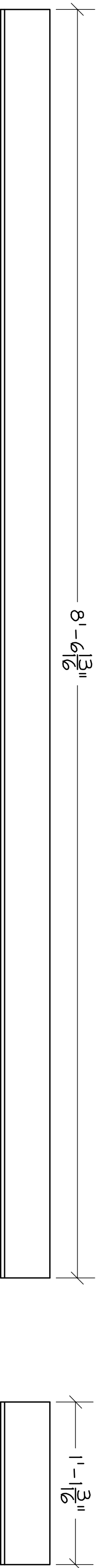
MATERIAL: A992, A36  
 A36, Grade 500 B UNO  
 DATE: 9.20.10  
 SCALE:

BOLTS: A325  
 WELDS: E70xx LH

REMARKS:  
 For Approval  
 DRAWN BY: R Fix  
 970.379.2006  
 rocky.fix@comcast.net

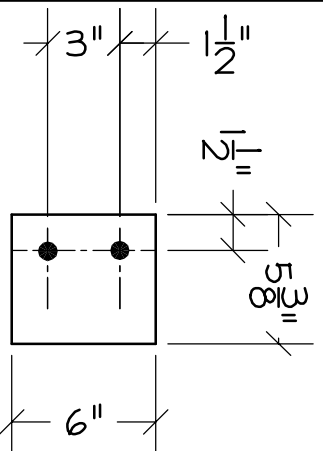
PAINT NOTE:  
 sc/Red  
 Primer  
 HOLES: 1 5/16 phi

SHEET #  
**PE**  
 REV. NUMBER  
**A**

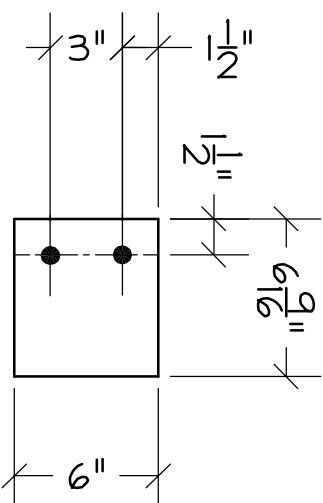


2 - LEDGER ANGLE-P31

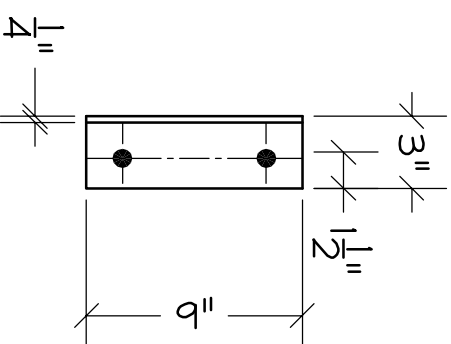
2 - LEDGER ANGLE-P32



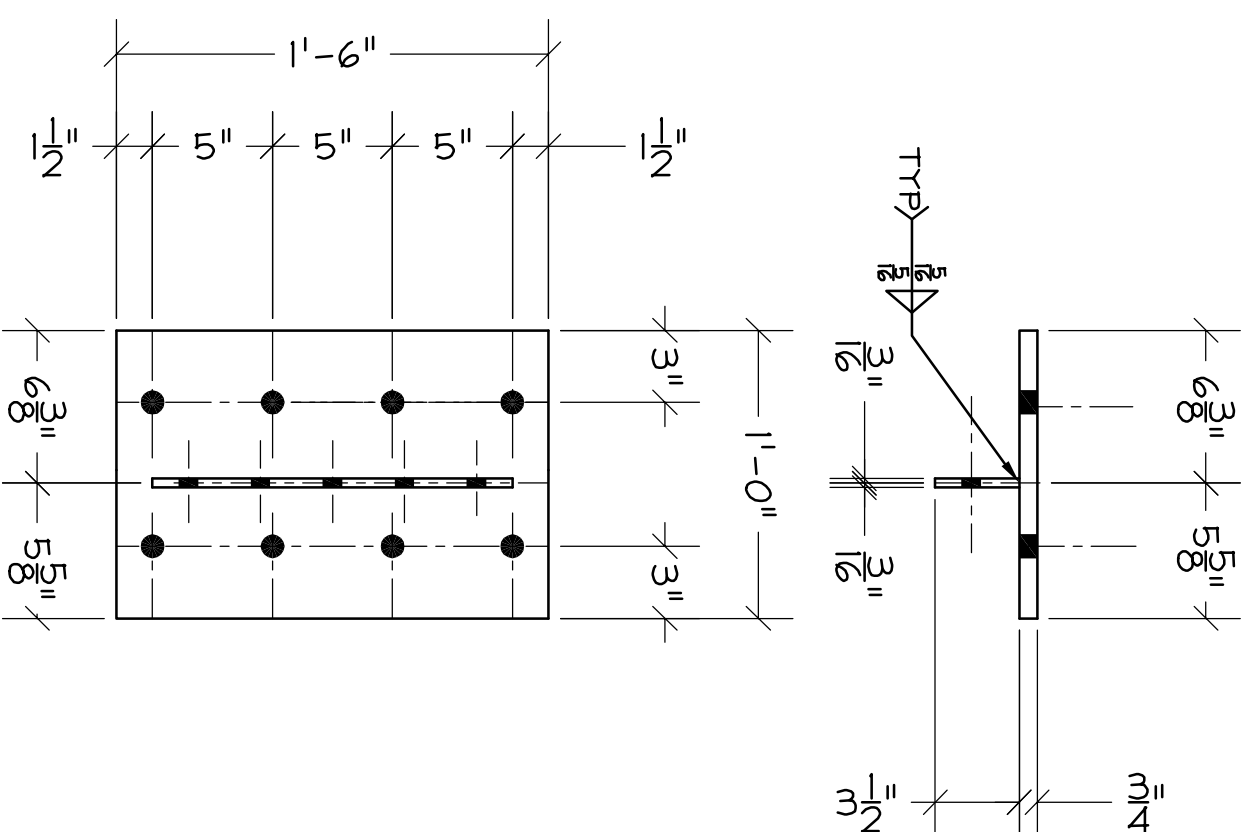
4 - CON PLATES-P33



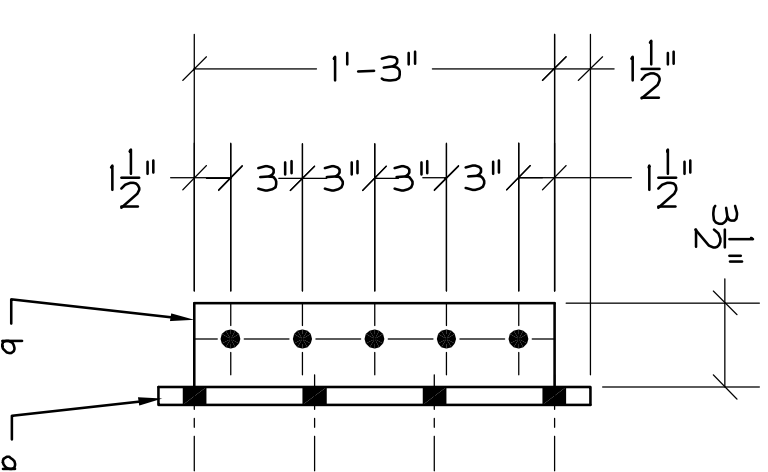
4 - CON PLATES-P34



4 - CLIP ANGLE-P35



3 - MNTNG PL-P36



BILL OF MATERIALS

PIECE MARK	NO. OF PCS	DESCRIPTION	LENGTH		NOTES
			Ft	In	
P31	2	LEDGER ANGLE			
	2	L 4 x 4 x 5/16	8	6 13/16	
P32	2	LEDGER ANGLE			
	2	L 4 x 4 x 5/16	1	1 3/16	
P33	4	CON PLATE			
	4	FB 3/8 x 6	0	5 3/8	
P34	4	CON PLATE			
	4	FB 3/8 x 6	0	6 9/16	
P35	4	CLIP ANGLE			
	4	L 3 x 3 x 1/4	0	9	
P36	4	CLIP ANGLE			
a	4	L 3 x 3 x 1/4	0	9	
b	4	CLIP ANGLE			
	4	L 3 x 3 x 1/4	0	9	
	3	MOUNTING PLATE			
	3	FB 3/4 x 12	1	6	
	3	FB 3/8 x 3 1/2	1	3	

**Innovative Ironworks**  
 32339 US Hwy 6#24  
 Silt, Co 81652  
 Ph 970.0750

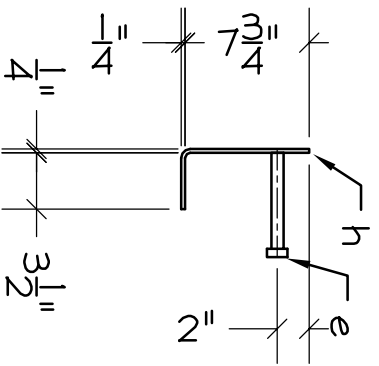
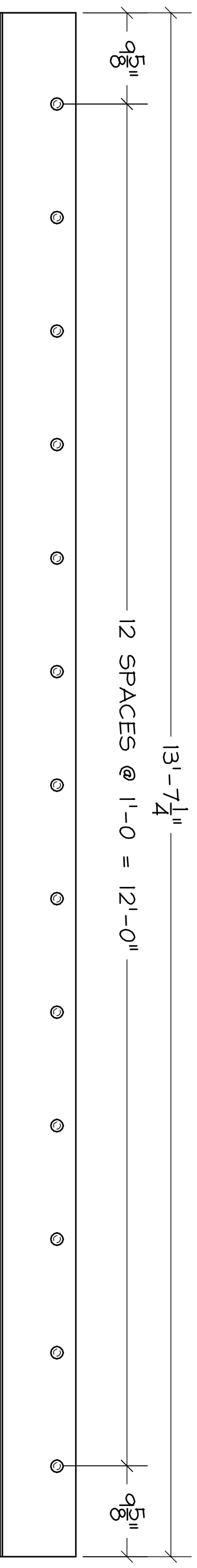
DRAWING TITLE:  
**PARTS**  
 JOB: CITY MARKET  
 REFERENCE: E3

MATERIAL: A992, A36  
 A36, Grade 500 B UNO  
 DATE: 9.20.10  
 SCALE:

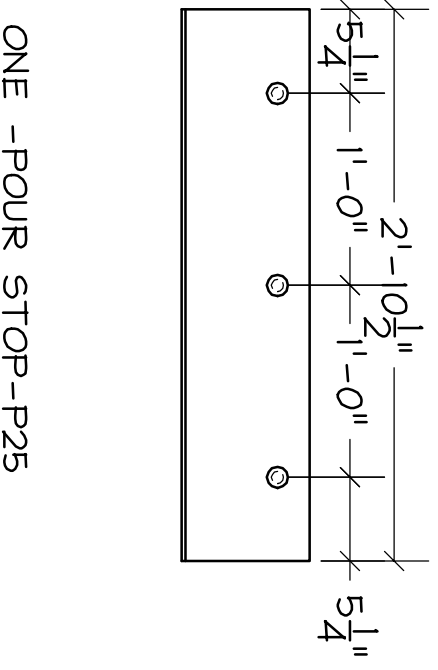
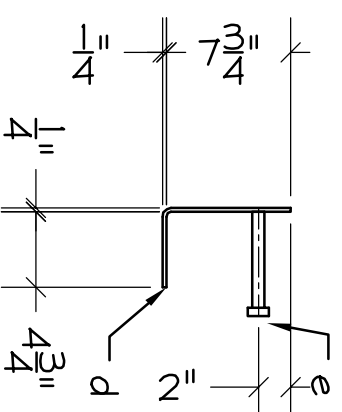
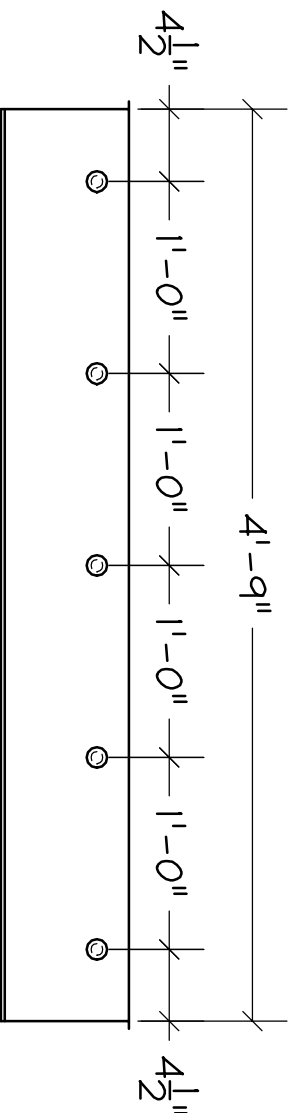
BOLTS: A325  
 WELDS: E70xx LH

REMARKS:  
 For Approval  
 DRAWN BY: R Fix  
 970.379.2006  
 rocky.fix@comcast.net

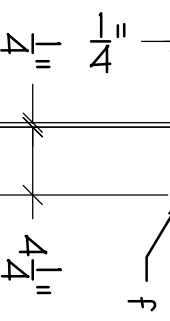
PAINT NOTE:  
 sc/Red Primer  
 HOLES: 13/16 φ UNO  
 SHEET #:  
**PD**  
 REV. NUMBER  
**A**



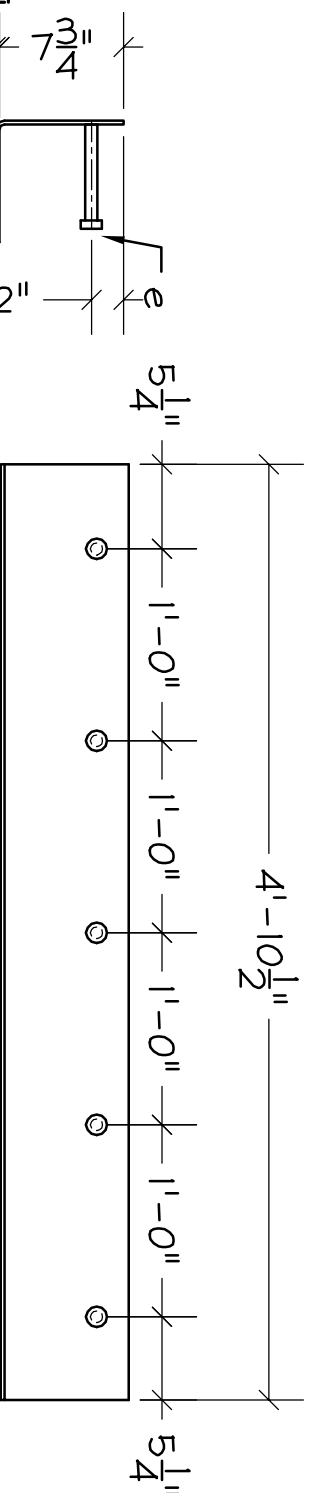
ONE -POUR STOP-P28



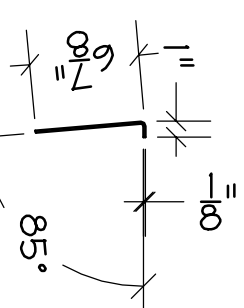
ONE -POUR STOP-P25



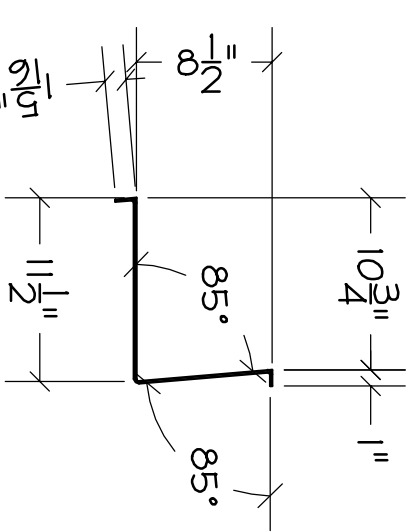
ONE -POUR STOP-P26



ONE -POUR STOP-P27



ONE -STAIR RISER-P29



19 -STAIR PAN-P30

BILL OF MATERIALS

PIECE MARK	NO OF PCS	DESCRIPTION	LENGTH		NOTES
			Ft	In	
P25	ONE	POUR STOP			
d	ONE	BENT PL 1/4 x 12 1/2	2	10 1/2	
e	3	HAS 3/4 φ	0	6	
P26	ONE	POUR STOP			
f	ONE	BENT PL 1/4 x 12	4	9	
e	5	HAS 3/4 φ	0	6	
P27	ONE	POUR STOP			
g	ONE	BENT PL 1/4 x 15 1/8	4	10 1/2	
e	5	HAS 3/4 φ	0	6	
P29	ONE	STAIR RISER			
ONE	ONE	BENT PL 1/8 x 7 3/4	4	3 5/8	
P30	19	STAIR PAN			
19	19	BENT PL 1/8 x 22 1/4	4	3 5/8	

**Innovative Ironworks**  
 32339 US Hwy 6#24  
 Silt, Co 81652  
 Ph 970.0750

DRAWING TITLE:  
**PARTS CITY MARKET**

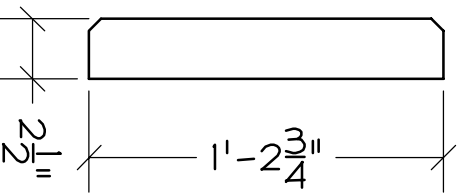
JOB REFERENCE:  
**E3**

MATERIAL: A992, A36, A56, Grade 500 B UNO  
 DATE: 9.20.10  
 SCALE: E70xx LH

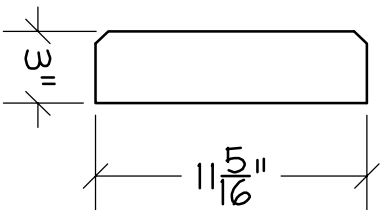
REMARKS:  
 For Approval  
 DRAWN BY: R Fix  
 970.379.2006  
 rocky.fix@comcast.net

PAINT NOTE:  
 sc/Red Primer  
 HOLES: q/16 φ UNO

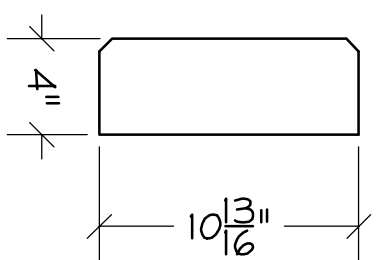
SHEET #  
**PC**  
 REV. NUMBER



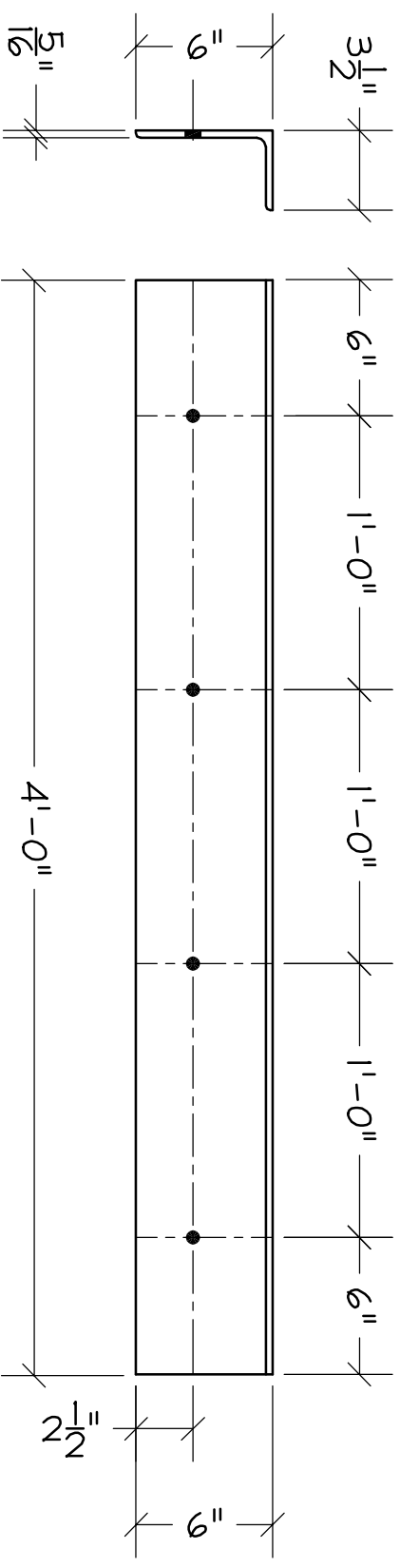
4-W16 STFNR-P16



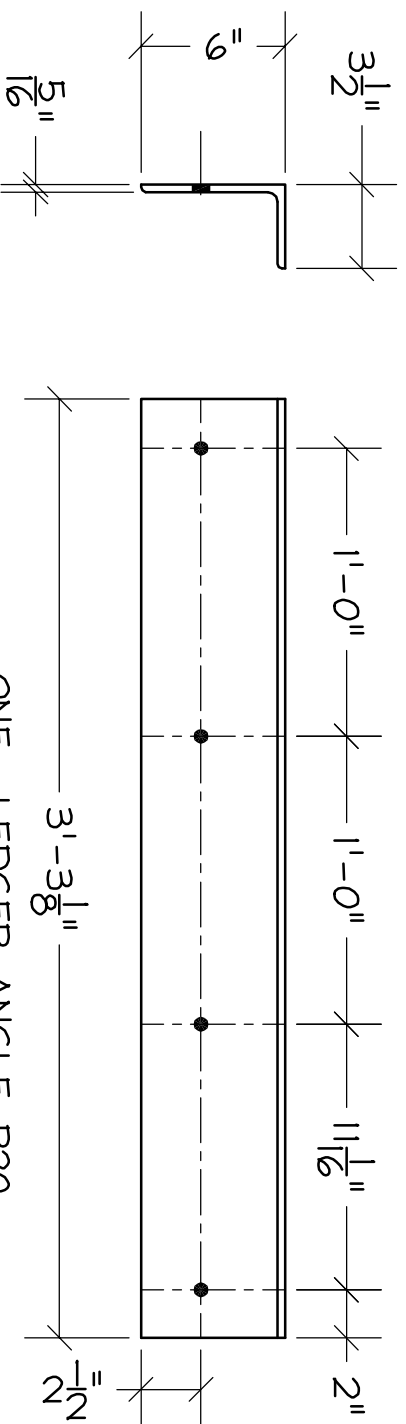
4-W12 STFNR-P17



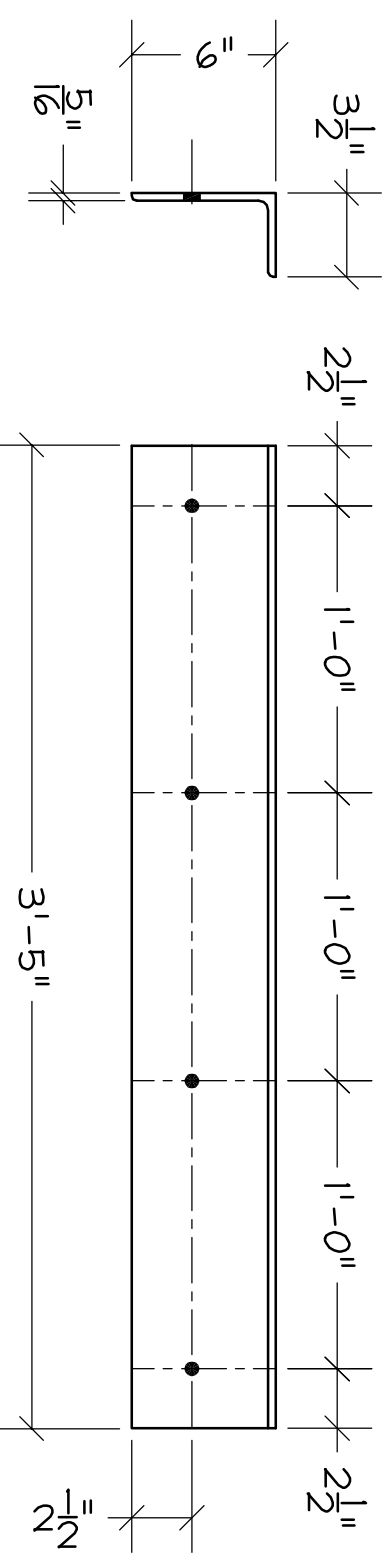
11-W12x40 STFNR-P18



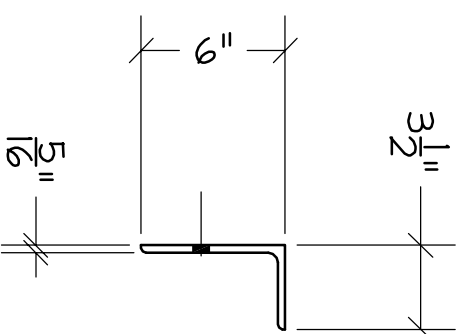
ONE - LEDGER ANGLE-P19



ONE - LEDGER ANGLE-P20



ONE - LEDGER ANGLE-P21



ONE - LEDGER ANGLE-P22

BILL OF MATERIALS

PIECE MARK	NO. OF PCS	DESCRIPTION	LENGTH		NOTES
			Ft	In	
P16	4	W16 STFNR			
	4	FB 3/8 x 2 1/2	1	2 3/4	
P17	4	W12 STFNR			
	4	FB 3/8 x 3	0	11 5/16	
P18	11	W12x40 STFNR			
	11	FB 3/8 x 4	0	10 13/16	
P19	ONE	LEDGER ANGLE			
	ONE	L 6 x 3 1/2 x 5/16	4	0	
P20	ONE	LEDGER ANGLE			
	ONE	L 6 x 3 1/2 x 5/16	3	3 1/8	
P21	ONE	LEDGER ANGLE			
	ONE	L 6 x 3 1/2 x 5/16	3	5	
P22	ONE	LEDGER ANGLE			
	ONE	L 6 x 3 1/2 x 5/16	4	6	
P23	28	BOLTS FOR EMBEDS			
	28	1/2 φ IN 1W	0	6	
P24	17	WA FOR LEDGER			
	17	3/4 φ KWIK BOLT TZ	0	5 1/4	

**Innovative Ironworks**  
 32339 US Hwy 6#24  
 Silt, Co 81652  
 Ph 970.0750

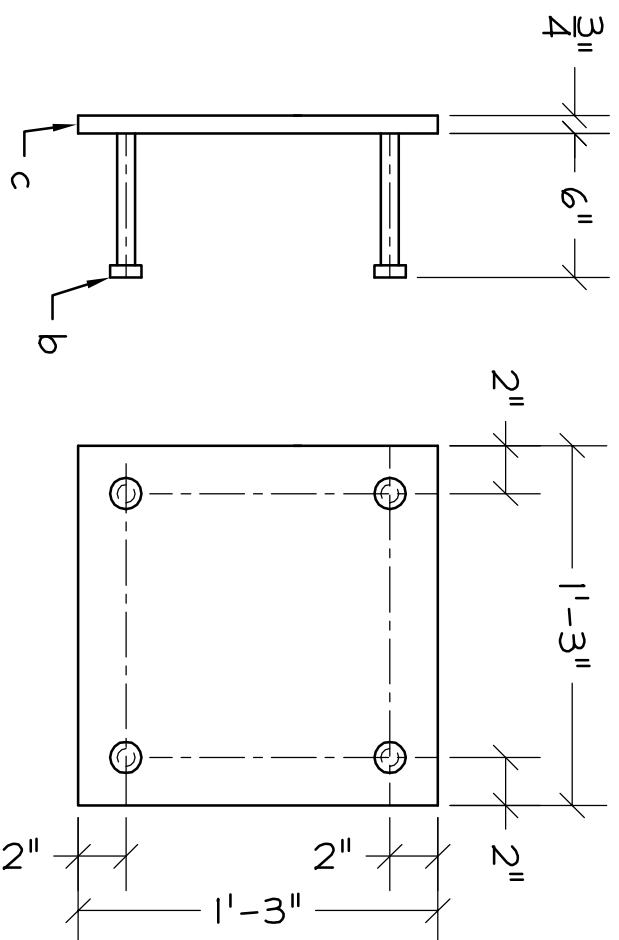
DRAWING TITLE:  
**PARTS**  
 JOB: CITY MARKET  
 REFERENCE: E3

MATERIAL: A992, A36  
 A36, Grade 500 B UNO  
 DATE: 9.20.10  
 SCALE:

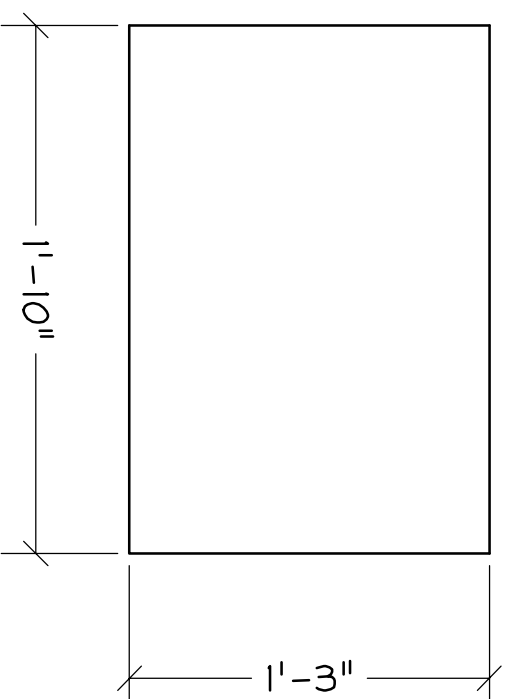
REMARKS:  
 For Approval  
 DRAWN BY: R Fix  
 970.379.2006  
 rocky.fix@comcast.net

PAINT NOTE:  
 sc/Red  
 Primer  
 HOLES:  
 13/16 φ UNO

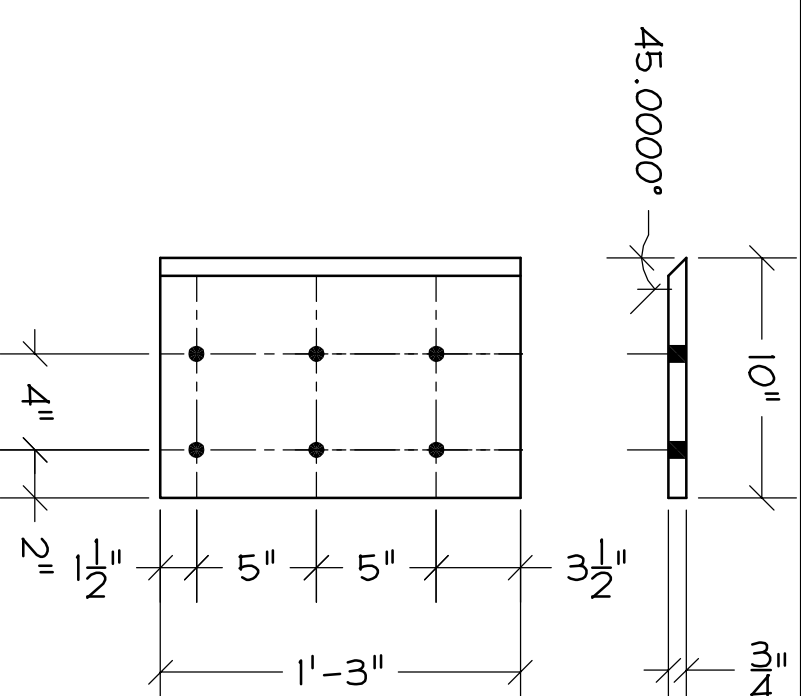
SHEET #  
**PB**  
 REV. NUMBER



ONE-STAIR WELL EMBED-P10  
PL 3/4 x 15" x 1'-3"



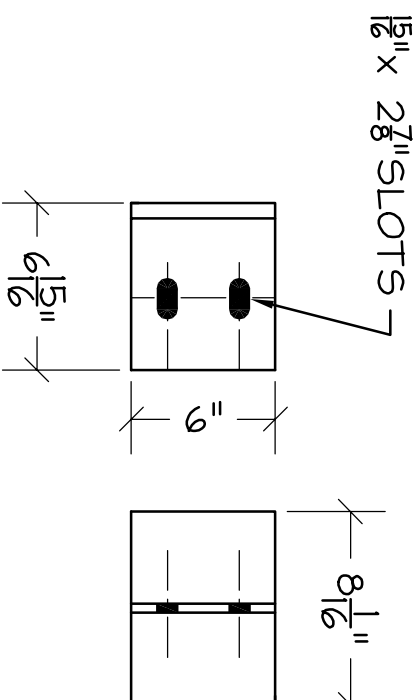
ONE-STAIR WELL BRACKET PLATE-P12



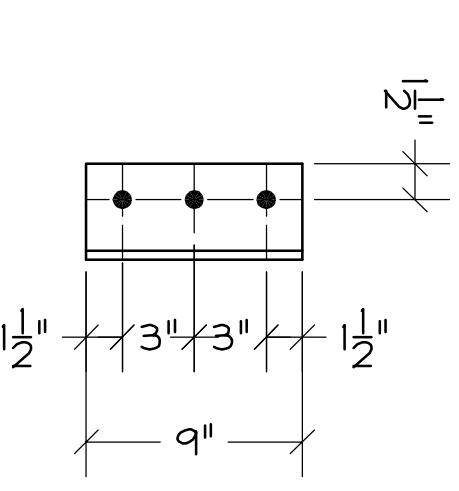
ONE THUS-STAIR WELL BRACKET PLATE-P13R  
ONE OPPOSITE-STAIR WELL BRACKET PLATE-P13L  
PL 3/4 x 15" x 1'-3"

BILL OF MATERIALS

PIECE NO.OF MARK	NO.OF PCS	DESCRIPTION	LENGTH		NOTES
			Ft	In	
P10	ONE	STAIR WELL EMBED			
b	4	HAS 3/4 φ	0	6	
c	ONE	PL 3/4 x 15	1	3	
P11	6	1/2 φ THREADED ROD 2N-2W	2	0	
P12	ONE	STAIR WELL BRACKET PLATE			
	ONE	PL 3/4 x 15	1	10	
P13R	ONE	STAIR WELL BRACKET PLATE			
	ONE	FB 3/4 x 10	1	3	
P13L	ONE	STAIR WELL BRACKET PLATE			
	ONE	FB 3/4 x 10	1	3	
P14	ONE	STAIR WELL EMBED TEE			
	ONE	WT 7 x 2&5	0	6	
P15	9	ANGLE CLIP			
	9	L 4 x 4 x 3/8	0	9	



ONE-STAIR WELL EMBED TEE-P14



9-ANGLE CLIP-P15

**Innovative Ironworks**  
32339 US Hwy 6#24  
Silt, Co 81652  
Ph 970.0750

DRAWING TITLE:  
PARTS  
JOB: CITY MARKET  
REFERENCE: E3

MATERIAL: A992, A36  
A36, Grade 500 B UNO  
DATE: 9.20.10  
SCALE:

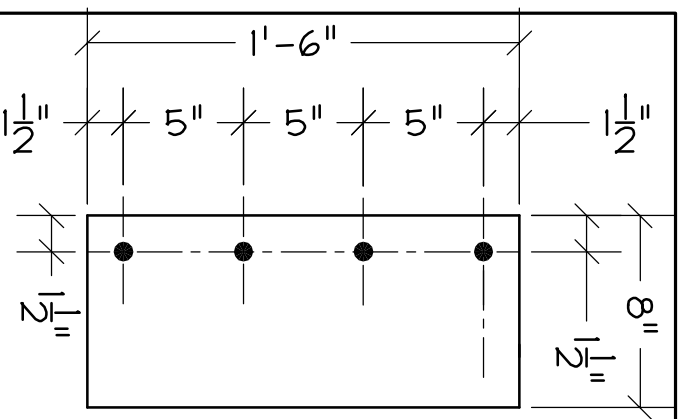
BOLTS: A325  
WELDS: E70xx LH

REMARKS:  
For Approval  
DRAWN BY: R Fix  
970.379.2006  
rocky.fix@comcast.net

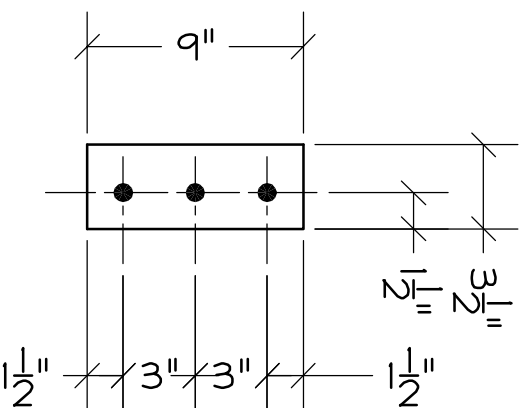
PAINT NOTE:  
sc/Red  
Primer  
HOLES:  
13/16 φ UNO

SHEET #  
**PA**  
REV. NUMBER  
**A**

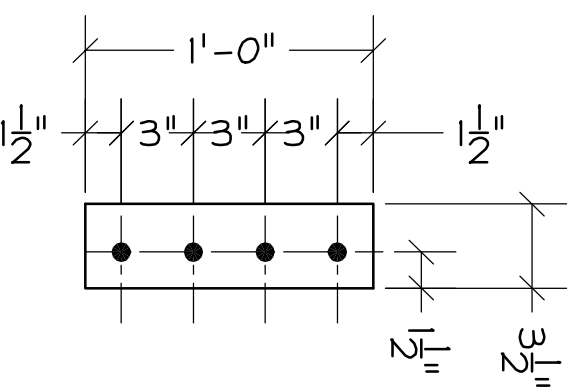




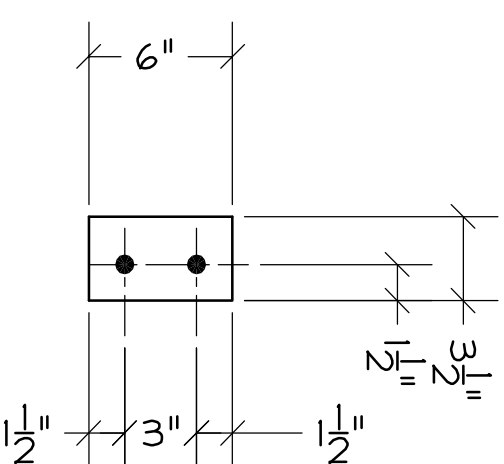
ONE-SPLICE PLATE-P1  
FB 3/8 x 8



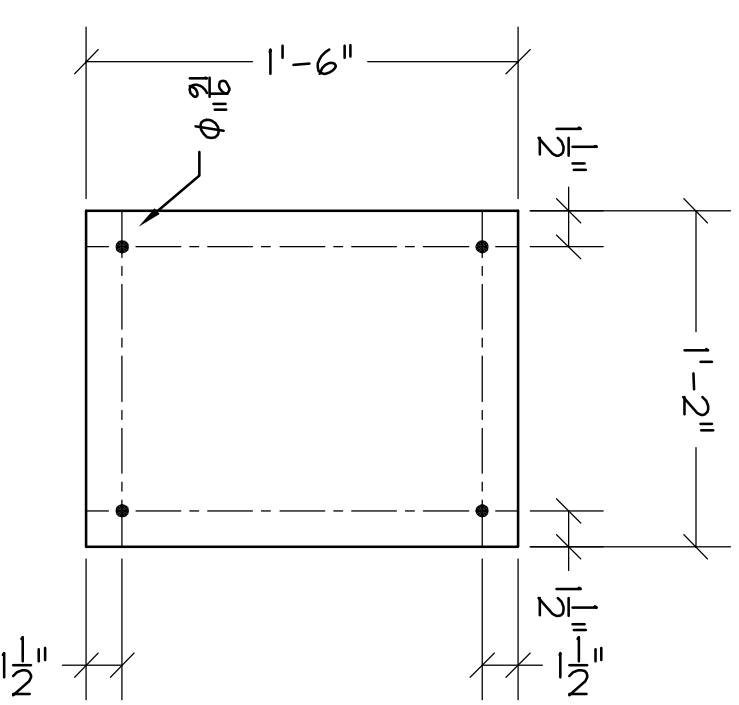
42-CONNECTION PLATE-P2  
FB 3/8 x 3 1/2



ONE-CONNECTION PLATE-P3  
FB 3/8 x 3 1/2

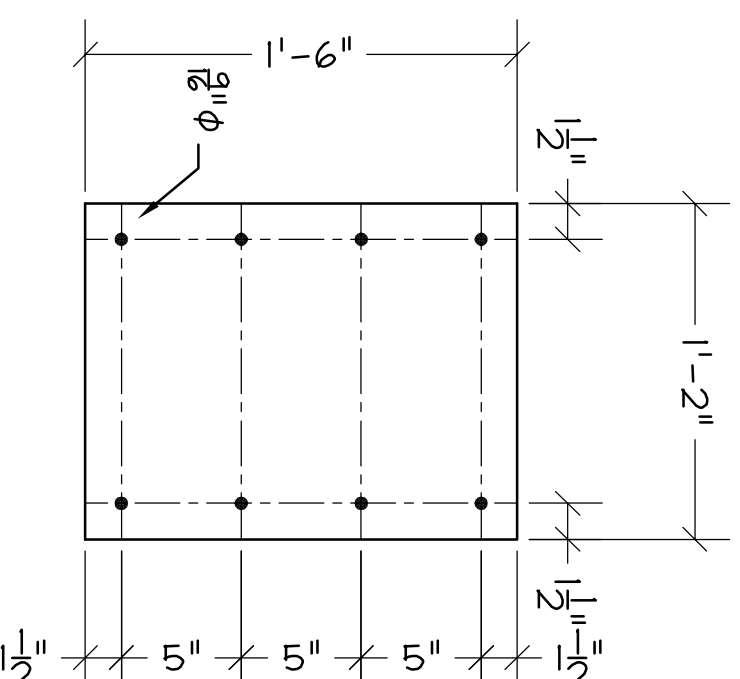


29-CONNECTION PLATE-P4  
FB 3/8 x 3 1/2

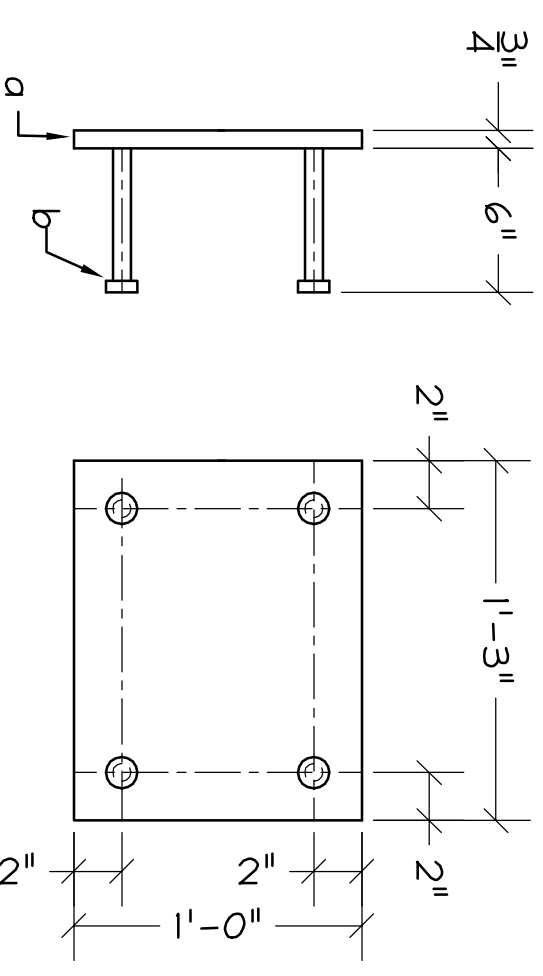


5-STAIR WELL PLATE-P7  
PL 1/2 x 14" x 1'-2"

BILL OF MATERIALS				
PIECE NO.OF MARK	DESCRIPTION	LENGTH		NOTES
		Ft	In	
P1	ONE SPLICE PLATE FB 3/8 x 8	1	6	
P2	42 CONNECTION PLATE FB 3/8 x 3 1/2	0	9	
P3	ONE CONNECTION PLATE FB 3/8 x 3 1/2	1	0	
P4	29 CONNECTION PLATE FB 3/8 x 3 1/2	0	6	
P5	36 3/4" φ A325 BOLTS N & M	0	2	
P6	30 1/2" φ A307 THREADED ROD N & M	0	9 1/2	
P7	5 STAIR WELL MOUNTING PLATE PL 1/2 x 14	1	2	
P8	ONE STAIR WELL MOUNTING PLATE PL 1/2 x 14	1	2	
P9	ONE STAIR WELL MOUNTING PLATE			
a	ONE FB 3/4 x 12	1	3	
b	4 HAS 3/4 φ	0	6	



ONE-STAIR WELL PLATE-P8  
PL 1/2 x 14" x 1'-2"



2-STAIR WELL EMBED-P9  
FB 3/4 x 12" x 1'-3"

**Innovative Ironworks**  
32339 US Hwy 6#24  
Silt, Co 81652  
Ph 970.0750

DRAWING TITLE:  
PARTS  
JOB: CITY MARKET  
REFERENCE: E3

MATERIAL: A992, A36  
A36, Grade 500 B UNO  
DATE: 9.20.10  
SCALE:

REMARKS:  
For Approval  
DRAWN BY: R Fix  
970.379.2006  
rocky.fix@comcast.net

PAINT NOTE  
sc/Red  
Primer  
HOLES:  
13/16 φ UNO

SHEET #  
P  
REV. NUMBER  
A